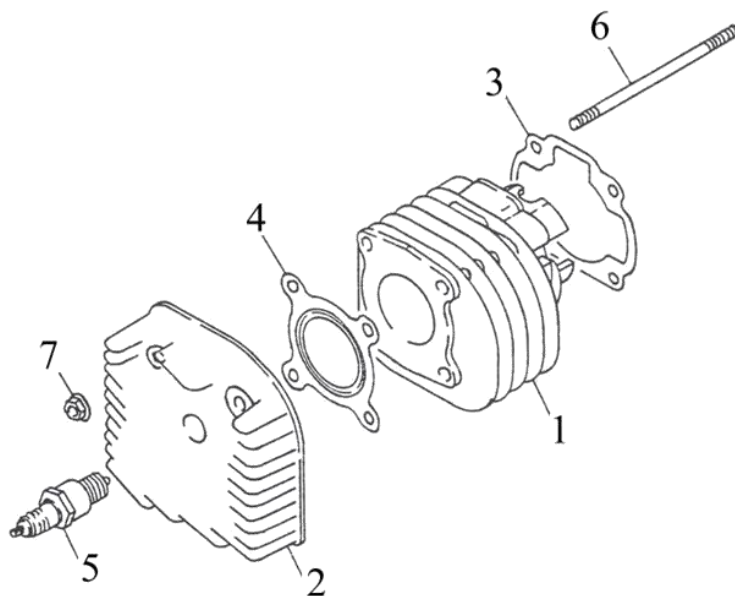
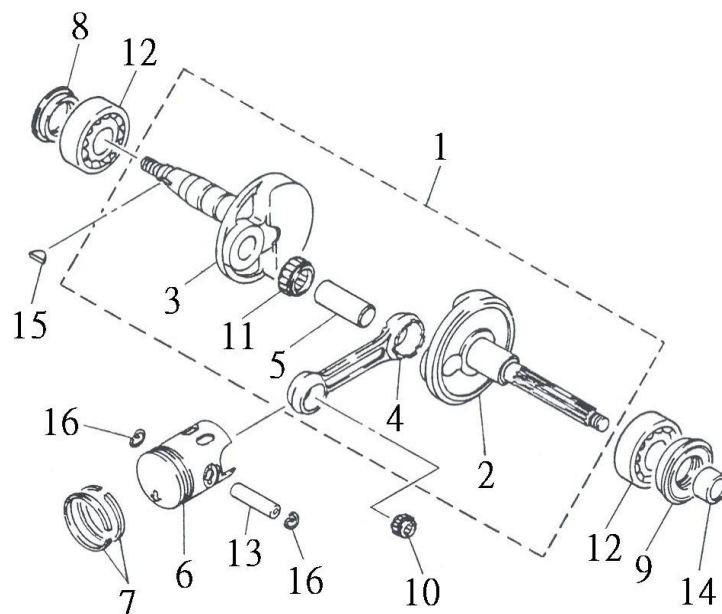


CYLINDER 汽缸



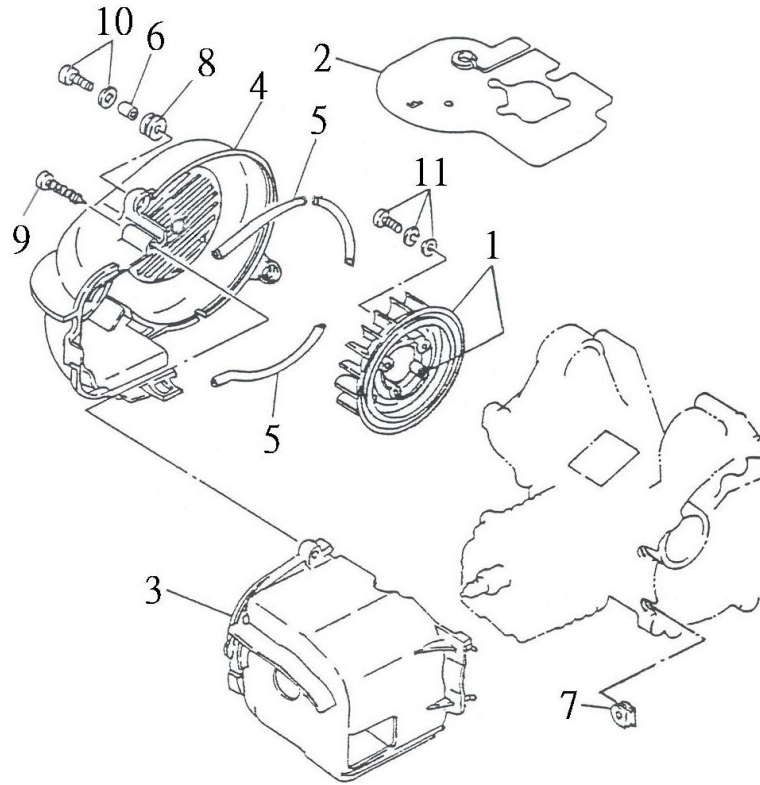
NO. 項目	PARTS NO. 零件號碼	PARTS NAME 零件名稱	Q'TY 用量	NOTE 備註
1	11111-NAO-01	CYLINDER	1	汽缸
2	11121-NAO-00	HEAD, CYLINDER	1	汽缸蓋
3	11151-NAN-00	GASKET, CYLINDER	1	汽缸墊片
4	11181-NAO-00	GASKET, CYLINDER HEAD	1	汽缸蓋墊片
5	62210-NAF-01	PLUG, SPARK (NGK BPR7HS)	1	火星塞總成
6	94717-07124-C	BOLT, STUD	4	雙頭螺栓
7	95401-071007-C	NUT, FLANGE	4	凸緣螺帽

CRANKSHAFT, PISTON 曲軸、活塞



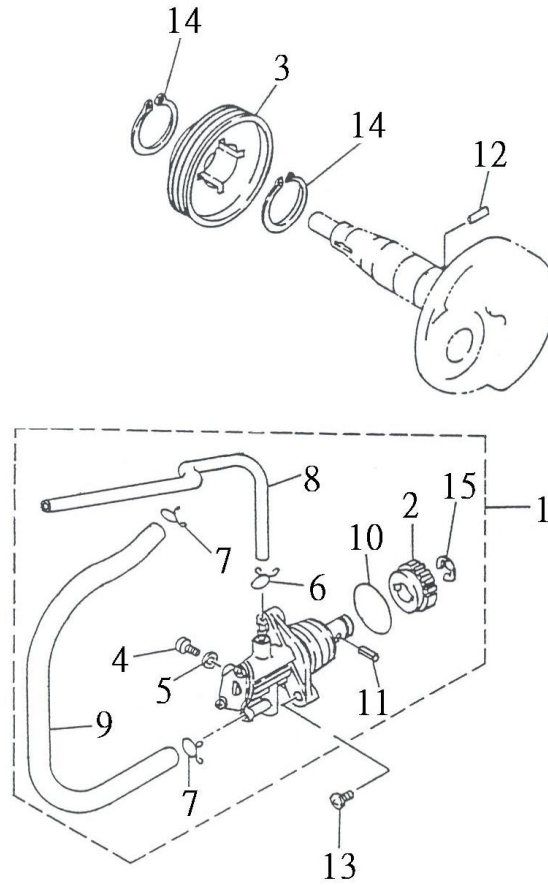
NO.	PARTS NO.	PARTS NAME		QTY	NOTE
項目	零件號碼	零件名稱		用量	備註
1	11400-SKO-00	CRANKSHAFT ASSEMBLY	曲軸總成	1	
2	11412-SKO-00	CRANK-L	左曲軸	±	
3	11422-SKO-00	CRANK-R	右曲軸	±	
4	11451-NAN-00	ROD, CONNECTING	連桿	±	
5	11481-NAN-00	PIN, CRANK	曲軸銷	±	
6	11631-NAO-00	PISTON (STD)	活塞	1	
7	11636-NAO-00	PISTON RING SET (STD)	活塞環組	1	
8	93110-20306	OIL SEAL	油封	1	
9	93110-20428	OIL SEAL	油封	1	
10	93310-1215164	NEEDLE BEARING	滾針軸承	1	
11	93310-1824118	NEEDLE BEARING	滾針軸承	±	
12	93320-204714J3	BALL BEARING 6204JR2C3	滾珠軸承	2	
13	93510-081240	PIN, PISTON	活塞銷	1	
14	93510-162115	COLLAR	左曲軸隔環	1	
15	94420-03013	KEY, SEMICIRCLE	半圓鍵	1	
16	97050-10014	CIRCLIP	活塞銷止動環	2	

AIR SHROUD, FAN 空氣進氣孔、風扇



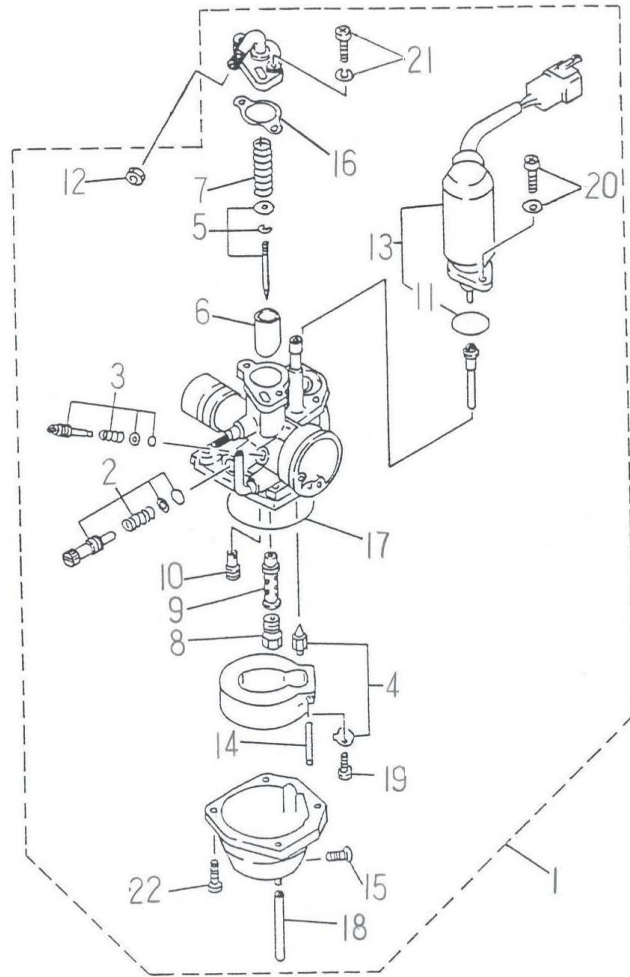
NO. 項目	PARTS NO. 零件號碼	PARTS NAME 零件名稱		QTY 用量	NOTE 備註
1	12611-NAN-00	FAN	風扇	1	
2	12631-NAF-00	DEFLECTOR	轉折板	1	
3	12651-NAN-00	AIR SHROUD, CYLINDER	汽缸護罩	1	
4	12653-NAF-00	AIR SHROUD, FAN	風扇護蓋	1	
5	12658-NAF-00	DAMPER, AIR SHROUD	風扇護蓋防震墊	3	
6	93560-68510	COLLAR	軸環	2	
7	93580-41610	GROMMET	汽缸護罩套環	2	
8	93580-81610	GROMMET	套環	2	
9	96110-64016-C	SCREW, TAPPING	自攻螺絲	1	
10	96312-06020-K	SCREW, PAN HEAD WITH WASHER	十字孔頭螺絲附墊圈	2	
11	96314-06016-C	SCREW, PAN HEAD WITH WASHER	十字孔頭螺絲附墊圈	4	

OIL PUMP 潤滑油泵



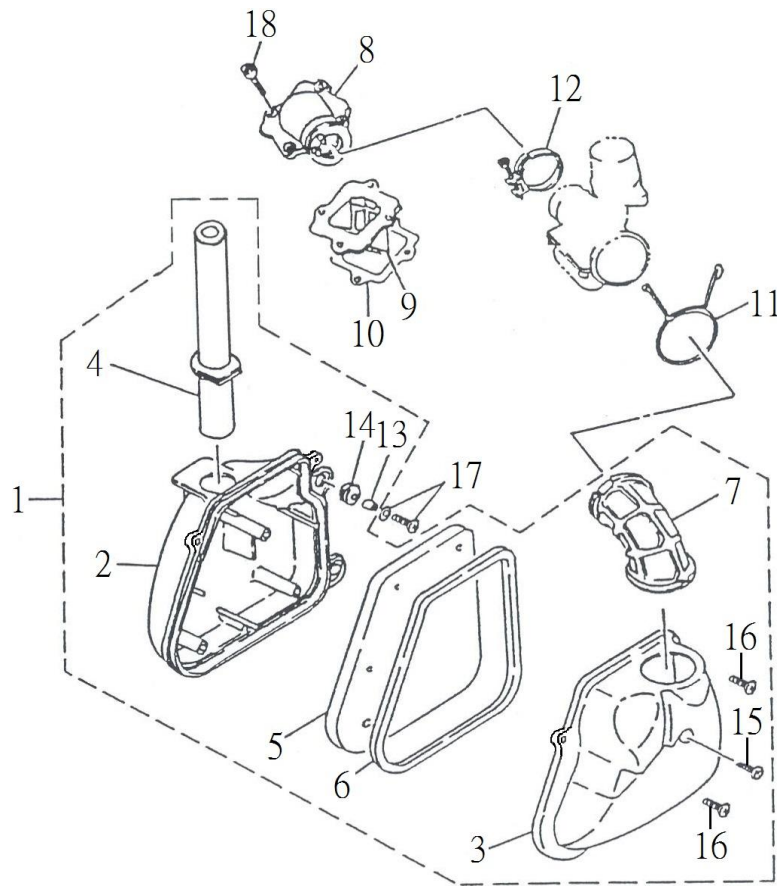
NO. 項目	PARTS NO. 零件號碼	PARTS NAME 零件名稱		QTY 用量	NOTE 備註
1	13100-SKO-00M	OIL PUMP ASSEMBLY	潤滑油泵總成	1	
2	13124-NAF-00	GEAR WORM WHEEL (40T)	蝸輪	±	
3	13178-NAF-00	GEAR, PUMP DRIVE	驅動齒輪	1	
4	13185-NAF-00	BOLT, BREATHER	螺栓	±	
5	13187-NAF-00	GASKET, BREATHER BOLT	墊圈	±	
6	90210-06005-C	CLIP	管夾	±	
7	90210-08009-C	CLIP	管夾	2	
8	90310-20050	HOSE	耐油管	±	
9	90310-50570	HOSE	耐油管	±	
10	93210-16195	O-RING	護油圈	±	
11	94430-30012	PIN, DOWEL	彈簧銷	±	
12	94510-30012	PIN, POWEL	滾針	1	
13	96310-05014-C	SCREW, PAN HEAD	十字孔頭螺絲	2	
14	97010-19012	CIRCLIP	C形扣環	2	
15	97011-07008-K	CIRCLIP	E形扣環	±	

CARBURETOR 化油器



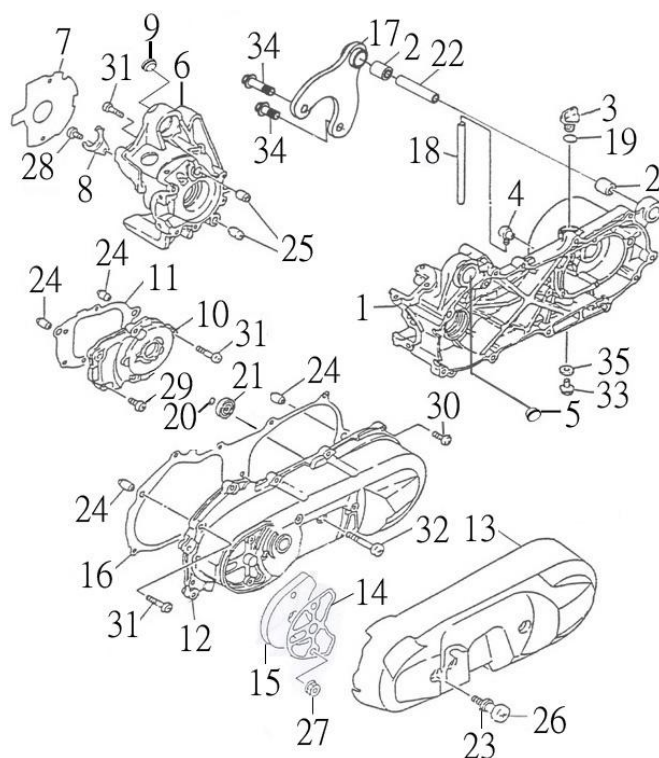
NO. 項目	PARTS NO. 零件號碼	PARTS NAME 零件名稱		QTY 用量	NOTE 備註
1	13201-NAN-01	CARBURETOR ASSEMBLY	化油器總成	1	
2	13203-NAF-00	THROTTLE SCREW SET	節流調整螺絲組	±	
3	13204-NAF-00	AIR SCREW SET	空氣螺絲組	±	
4	13207-NAF-00	NEEDLE VALVE SET	油門座油針組	1	
5	13211-NAF-00	NEEDLE SET	油針組	1	
6	13212-NAF-00	VALVE, THROTTLE	節流閥	±	
7	13233-NAF-00	SPRING, THROTTLE STOP	節流閥彈簧	±	
8	13240-NAN-00	JET, MAIN (#82.5)	主噴口	1	
9	13241-NAF-00	NOZZLE, MAIN	主噴嘴	1	
10	13242-NCF-00	JET, PILOT (#20)	引導噴口	1	
11	13247-NAF-00	O-RING	護油圈	±	
12	13261-NAF-00	NUT, CABLE ADJUSTING	螺帽	±	
13	13271-NAF-00	PLUNGER, STARTER	起動阻塞總成	1	
14	13286-NAF-00	PIN, FLOAT	浮筒銷	±	
15	13291-NAF-00	PLUG, DRAIN	排洩口塞	1	
16	13296-NAF-00	GASKET	墊片	±	
17	13297-NAF-00	SEAL	封圈	±	
18	13298-NAF-00	PIPE	管	±	
19	96310-03006-C	SCREW, PAN HEAD	十字孔頭螺絲	±	
20	96312-04008-C	SCREW, PAN HEAD WITH WASHER	十字孔頭螺絲附墊圈	2	
21	96312-04012-C	SCREW, PAN HEAD WITH WASHER	十字孔頭螺絲附墊圈	2	
22	96312-04014-C	SCREW, PAN HEAD WITH WASHER	十字孔頭螺絲附墊圈	4	

INTAKE 空氣吸入口



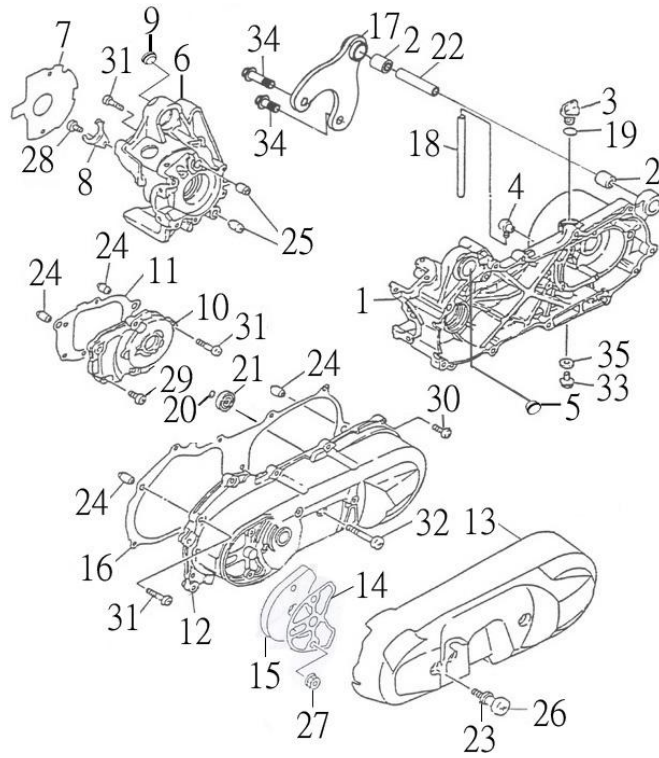
NO. 項目	PARTS NO. 零件號碼	PARTS NAME 零件名稱		QTY 用量	NOTE 備註
1	13410-SK9-00	AIR CLEANER ASSEMBLY	空氣濾清器總成	1	
2	13411-NAF-01	CASE, AIR-CLEANER	空氣濾清器箱	1	
3	13412-NAF-00	CAP, CLEANER CASE	空氣濾清器箱蓋	1	
4	13437-SK9-00	DUCT	防塵管	1	
5	13451-NAF-00	ELEMENT, AIR CLEANER	空氣濾清網	1	
6	13452-NAF-00	SEAL	濾清箱封圈	1	
7	13453-NAF-00	JOINT, AIR-CLEANER	濾清箱接頭	1	
8	13555-NAF-00	MANIFOLD, INTAKE	進氣歧管	1	
9	13610-NAF-00	REED VALVE ASSEMBLY	簧片閥總成	1	
10	13621-NAF-00	GASKET, VALVE SEAT	閥座墊片	1	
11	90210-20040	CLIP	管夾	1	
12	90260-13325	CLAMP, HOSE	軟管夾	1	
13	93560-68510	COLLAR	軸環	2	
14	93580-81610	GROMMET	套環	2	
15	96110-52512-K	SCREW, TAPPING	自攻螺絲	3	
16	96112-41218-K	SCREW, TAPPING	自攻螺絲	2	
17	96312-06020-K	SCREW, PAN HEAD WITH WASHER	十字孔頭螺絲附墊圈	2	
18	96510-06020-G	BOLT, SOCKET	六角承窩螺栓	4	

CRANKCASE 曲軸箱

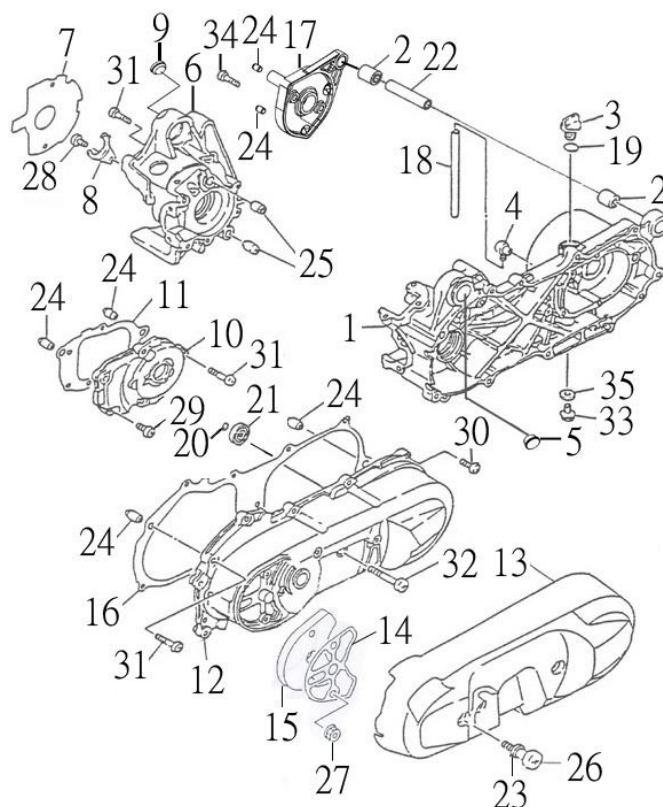


NO. 項目	PARTS NO. 零件號碼	PARTS NAME 零件名稱		Q'TY 用量	NOTE 備註
1	15111-SK9-00	CRANKCASE, LEFT	左曲軸箱	1	
2	15116-NAF-00	BUSH, REAR SHOCK ABSORBER	後緩衝器襯套	2	
3	15163-NAF-00	PLUG, OIL	油標塞	1	
4	15171-NAF-00	BREATHER	通風管接頭	1	
5	15178-SK9-00	PLUG, TAPER L	塞子左	1	
6	15211-SK9-00	CRANKCASE, RIGHT	右曲軸箱	1	
7	15221-NAF-01	GASKET, STATOR	電盤墊片	1	
8	15228-NAF-00	HOLDER	油封固定座	1	
9	15278-SK9-00	PLUG, TAPER R	塞子右	1	
10	15311-YAN-00	COVER, GEARBOX	變速箱蓋	1	
11	15351-YAN-00	GASKET, GEARBOX COVER	變速箱蓋墊片	1	
12	15411-SK9-00G	COVER, CRANKCASE	機箱蓋	1	
13	15421-YAN-00	COVER CRANKCASE	機箱蓋防護罩	1	
14	15432-YAN-00	GUIDE, ELEMENT	濾網導件	1	
15	15436-YAN-00	ELEMENT	曲軸箱濾清網	1	
16	15481-YAN-01	GASKET, CRANKCASE COVER	機箱蓋墊片	1	
17	41183-SK9-00	ENGINE HANGER B	引擎吊板	1	
18	90310-4207055	HOSE	通氣管	1	
19	93210-24140	O-RING	護油圈	1	
20	93210-31080	O-RING	護油圈	1	
21	9332K-082809ZZ	BALL BEARING 638ZZ	滾珠軸承	1	
22	93510-081471-K	COLLAR	引擎吊板隔管	1	

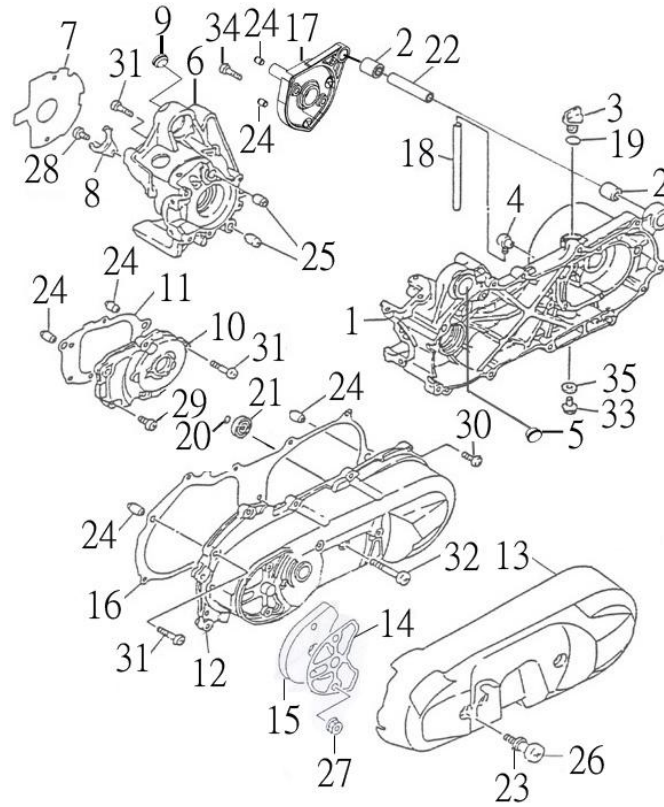
CRANKCASE 曲軸箱



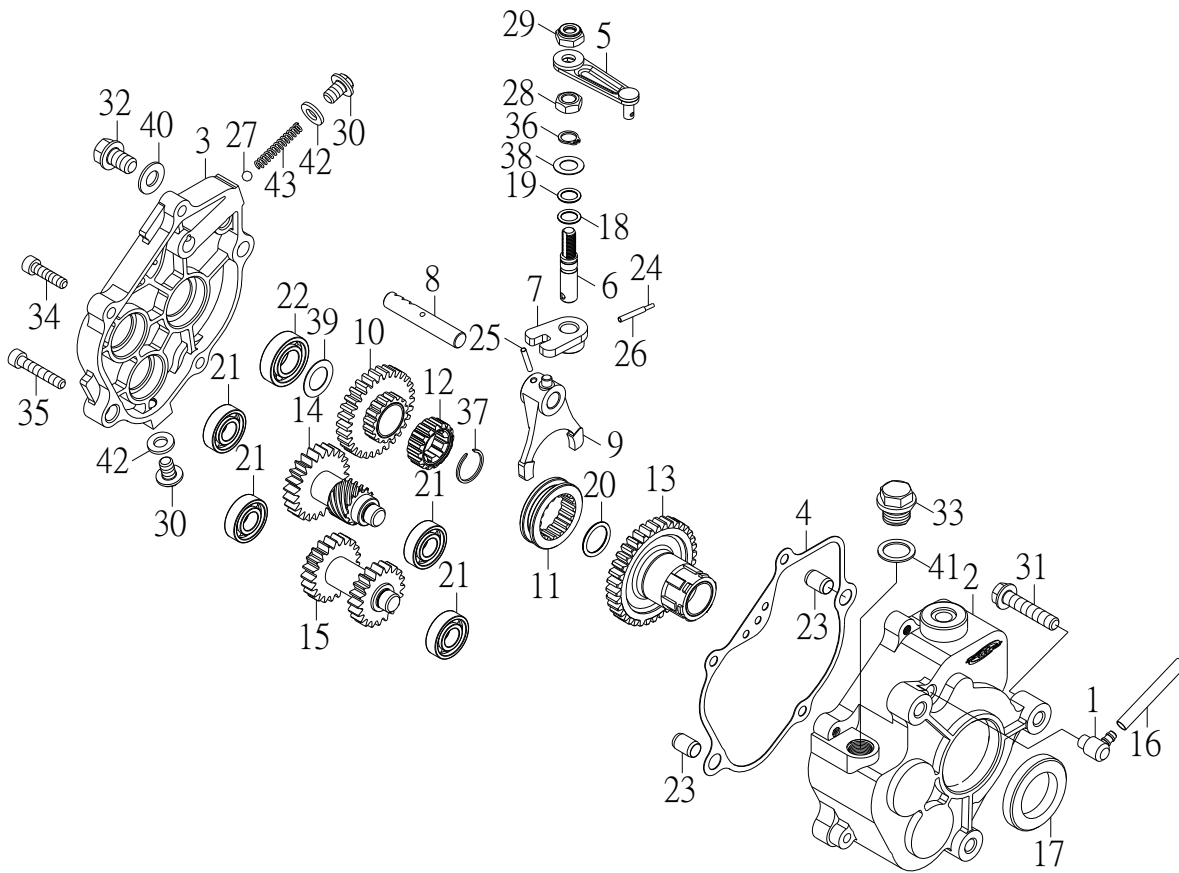
NO. 項目	PARTS NO. 零件號碼	PARTS NAME 零件名稱		QTY 用量	NOTE 備註
23	93580-61509	GROMMET	套環	2	
24	94410-10014	PIN, DOWEL	定位銷	4	
25	94410-12016	PIN, DOWEL	定位銷	2	
26	94706-06023-K	BOLT	防塵罩螺栓	2	
27	95401-061006-C	NUT, FLANGE	凸緣螺帽	2	
28	96310-06012-C	SCREW, PAN HEAD	十字孔頭螺絲	1	
29	96310-06020-B	SCREW, PAN HEAD	十字孔頭螺絲	3	
30	96310-06025-B	SCREW, PAN HEAD	十字孔頭螺絲	8	
31	96310-06035-B	SCREW, PAN HEAD	十字孔頭螺絲	12	
32	96310-06065-B	SCREW, PAN HEAD	十字孔頭螺絲	1	
33	96414-08016-C	BOLT, FLANGE	凸緣螺栓	1	
34	96414-10020-B	BOLT, FLANGE	凸緣螺栓	2	
35	97230-081512	WASHER, COPPER	銅墊圈	1	



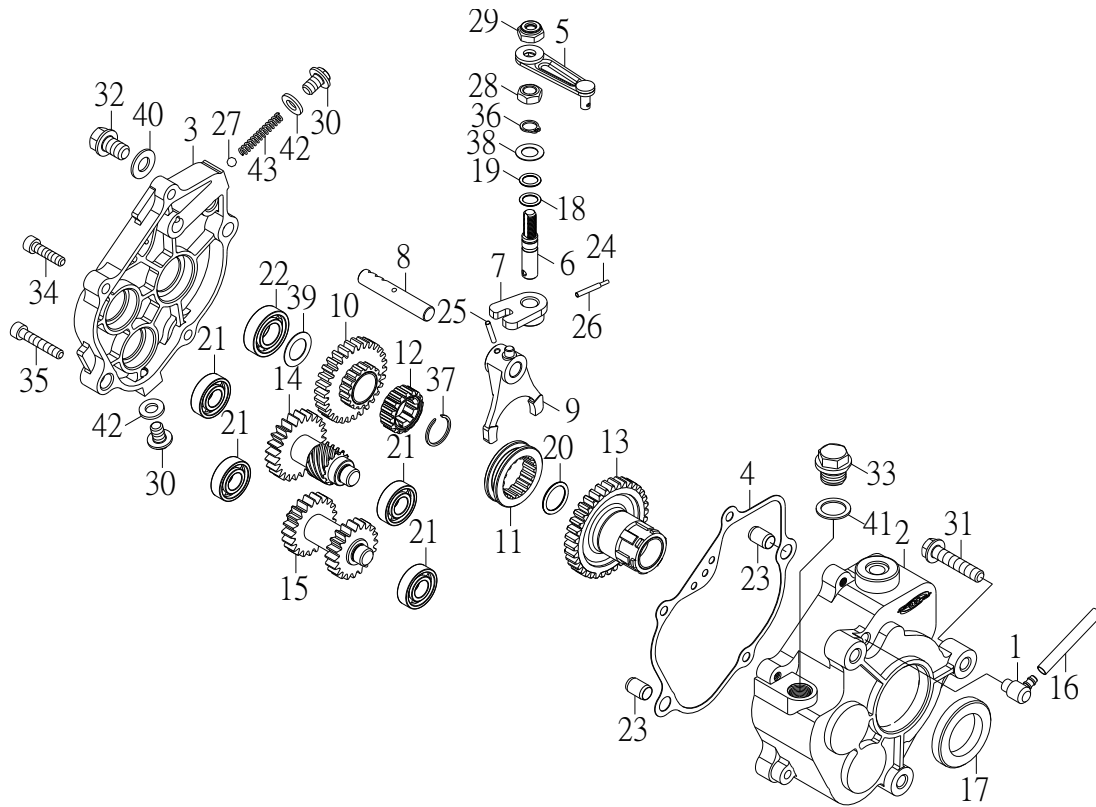
NO. 項目	PARTS NO. 零件號碼	PARTS NAME 零件名稱	Q'TY 用量	NOTE 備註
1	15111-SK9-00	CRANKCASE, LEFT	1	左曲軸箱
2	15116-NAF-00	BUSH, REAR SHOCK ABSORBER	2	後緩衝器襯套
3	15163-NAF-00	PLUG, OIL	1	油標塞
4	15171-NAF-00	BREATHER	1	通風管接頭
5	15178-SK9-00	PLUG, TAPER L	1	塞子左
6	15211-SK9-00	CRANKCASE, RIGHT	1	右曲軸箱
7	15221-NAF-01	GASKET, STATOR	1	電盤墊片
8	15228-NAF-00	HOLDER	1	油封固定座
9	15278-SK9-00	PLUG, TAPER R	1	塞子右
10	15311-YAN-00	COVER, GEARBOX	1	變速箱蓋
11	15351-YAN-00	GASKET, GEARBOX COVER	1	變速箱蓋墊片
12	15411-SK9-00G	COVER, CRANKCASE	1	機箱蓋
13	15421-YAN-00	COVER CRANKCASE	1	機箱蓋防護罩
14	15432-YAN-00	GUIDE, ELEMENT	1	濾網導件
15	15436-YAN-00	ELEMENT	1	曲軸箱濾清網
16	15481-YAN-01	GASKET, CRANKCASE COVER	1	機箱蓋墊片
17	41183-SK9-01	ENGINE HANGER B	1	引擎吊板
18	90310-4207055	HOSE	1	通氣管
19	93210-24140	O-RING	1	護油圈
20	93210-31080	O-RING	1	護油圈
21	9332K-082809ZZ	BALL BEARING 638ZZ	1	滾珠軸承
22	93510-081471-K	COLLAR	1	引擎吊板隔管



NO. 項目	PARTS NO. 零件號碼	PARTS NAME 零件名稱	QTY 用量	NOTE 備註
23	93580-61509	GROMMET	2	套環
24	94410-10014	PIN, DOWEL	6	定位銷
25	94410-12016	PIN, DOWEL	2	定位銷
26	94706-06023-K	BOLT	2	防塵罩螺栓
27	95401-061006-C	NUT, FLANGE	2	凸緣螺帽
28	96310-06012-C	SCREW, PAN HEAD	1	十字孔頭螺絲
29	96310-06020-B	SCREW, PAN HEAD	3	十字孔頭螺絲
30	96310-06025-B	SCREW, PAN HEAD	8	十字孔頭螺絲
31	96310-06035-B	SCREW, PAN HEAD	12	十字孔頭螺絲
32	96310-06065-B	SCREW, PAN HEAD	1	十字孔頭螺絲
33	96414-08016-C	BOLT, FLANGE	1	凸緣螺栓
34	96414-10025-B	BOLT, FLANGE	2	凸緣螺栓
35	97230-081512	WASHER, COPPER	1	銅墊圈

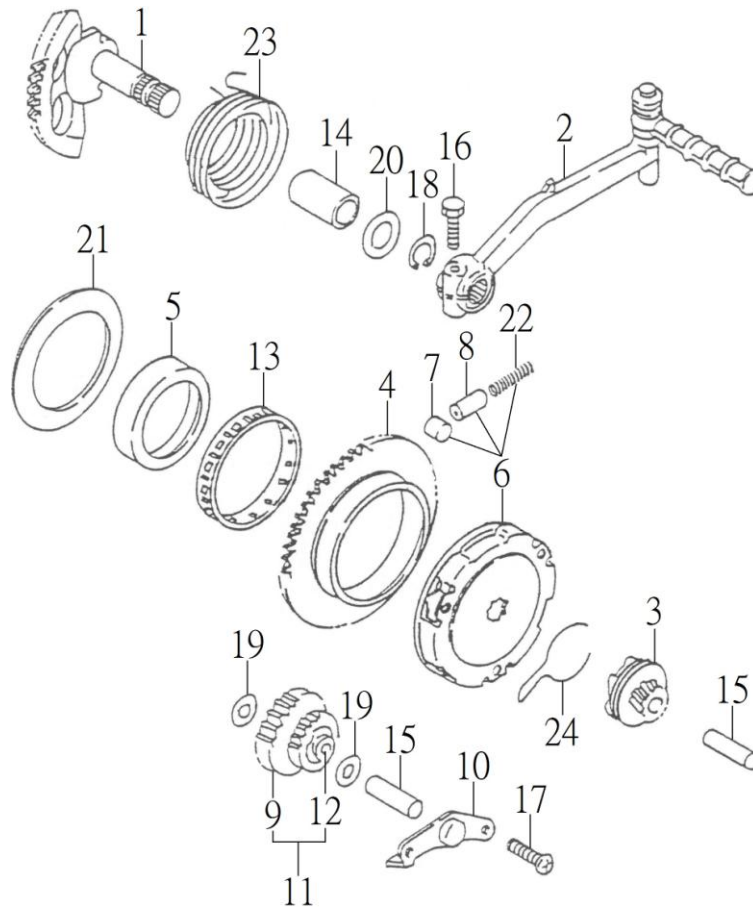


NO. 項目	PARTS NO. 零件號碼	PARTS NAME 零件名稱		Q'TY 用量	NOTE 備註
1	15171-NAF-00	BREATHER	通風管接頭	1	
2	15611-SK9-00	GEAR BOX	齒輪箱	1	
3	15621-SK9-00	COVER, GEAR BOX	齒輪箱蓋	1	
4	15651-SK9-00	GASKET, GEAR BOX	齒輪箱墊片	1	
5	24206-GOO-00	SHIFT LEVER	變速拉桿	1	
6	24216-SK9-00	CAM AXLE, GEAR SHIFT	變速凸輪軸	1	
7	24226-GOO-00	CAM, GEAR SHIFT	齒輪變速凸輪	1	
8	24236-SK9-00	SHAFT, GEAR SHIFT	變速叉樞軸	1	
9	24238-GOO-00	FORK, GEAR SHIFT	齒輪變速叉	1	
10	26426-SK9-00	GEAR, REVERSE	倒檔齒輪	1	
11	26430-GOO-00	CLUTCH, DOG	變檔鼓	1	
12	26440-GOO-00	GEAR, TRANSMISSION	換檔齒輪	1	
13	26610-SK9-00	TRANSMISSION WHEEL COMP	傳動輪總成	1	
14	26640-SK9-01	AXLE COMP 1	惰輪軸總成1	1	
15	26645-SK9-00	AXLE COMP 2	惰輪軸總成2	1	
16	90310-4207055	HOSE	通氣管	1	
17	93110-30477	OIL SEAL TC 30*47*7	油封	1	
18	93210-19070	O-RING	護油圈	1	
19	93210-19098	O-RING	護油圈	1	
20	93210-24198	O-RING	護油圈	1	
21	93320-122808M	BALL BEARING 6001CM	滾珠軸承	4	
22	93320-153209M	BALL BEARING 6002CM/2A	滾珠軸承	1	



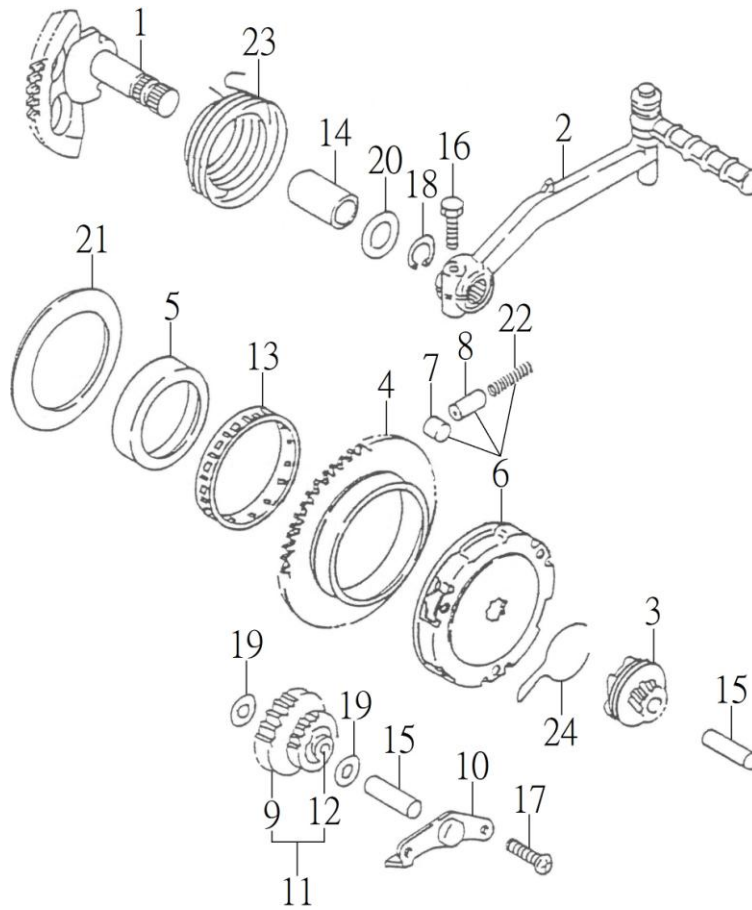
NO. 項目	PARTS NO. 零件號碼	PARTS NAME 零件名稱		QTY 用量	NOTE 備註
23	94410-10014	PIN, DOWEL	定位銷	2	
24	94430-20018-K	PIN, DOWEL Ø2*0.4t*18L	彈簧銷	1	
25	94430-30018-K	PIN, DOWEL Ø3*0.6t*18L	彈簧銷	1	
26	94430-35018-K	PIN, DOWEL Ø3.5*0.7t*18L	彈簧銷	1	
27	94520-06350	BALL	鋼珠	1	
28	95201-081406-B	NUT, HEXAGON	六角螺帽	1	
29	95301-081406-B	LOCKNUT M8*14*6.3	止鬆螺帽	1	
30	96414-08012-B	BOLT, FLANGE	凸緣螺栓	2	
31	96414-08040-B	BOLT, FLANGE	凸緣螺栓	3	
32	96414-10016-B	BOLT, FLANGE	凸緣螺栓	1	
33	96414-16012-B	BOLT, FLANGE	凸緣螺栓	1	
34	96510-06025-G	BOLT, SOCKET	六角承窩螺栓	3	
35	96510-06035-G	BOLT, SOCKET	六角承窩螺栓	2	
36	97010-10010-K	CIRCLIP	C形扣環	1	
37	97012-20012	CIRCLIP	C形同心扣環	1	
38	97201-101805-B	WASHER, PLATE 10.5*18*0.5	平面墊圈	1	
39	97201-152405	WASHER, PLATE	平面墊圈	1	
40	97230-102016	WASHER, COPPER	銅墊圈	1	
41	97230-162212	WASHER, COPPER	銅墊圈	1	
42	97231-081620	WASHER, ALUMINUM	鋁墊圈	2	
43	97501-10034	SPRING, COMPRESSION	壓縮彈簧	1	

STARTING SYSTEM 起動系統



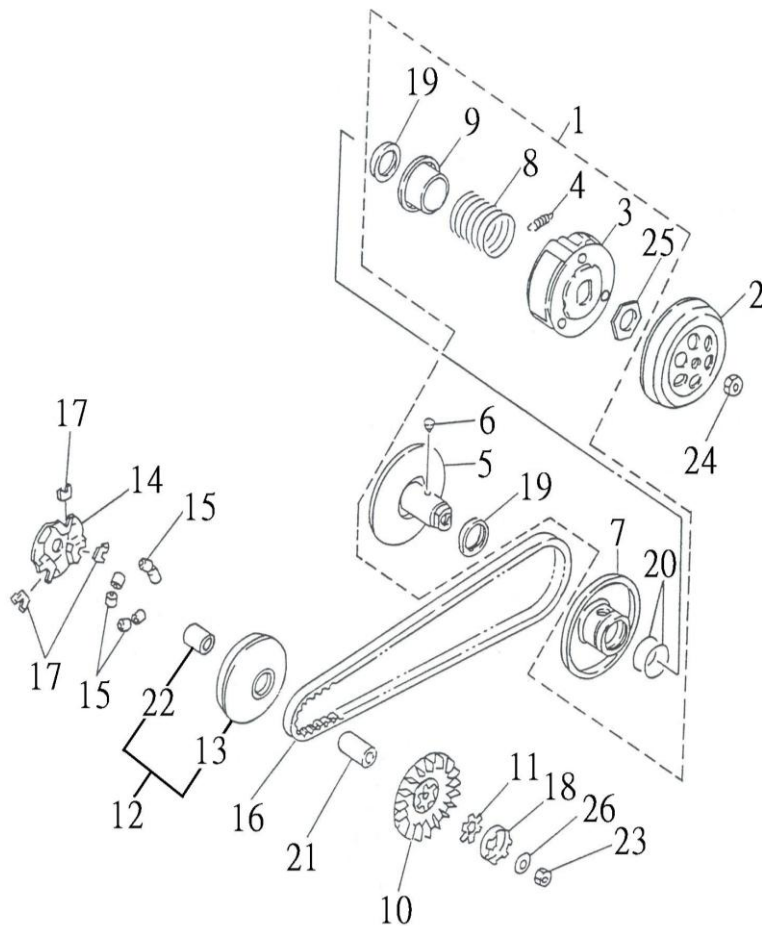
NO. 項目	PARTS NO. 零件號碼	PARTS NAME 零件名稱		QTY 用量	NOTE 備註
1	22601-YAN-00	KICK SHAFT ASSEMBLY	腳踩軸總成	1	
2	22620-NAF-00	KICK CRANK ASSEMBLY	腳踩柄總成	1	
3	22630-NAF-00	KICK PINION ASSEMBLY	腳踩小齒輪總成	1	
4	23524-NAN-00	WHEEL, STARTER	起動輪	1	
5	23538-NAF-00	BOSS, GEAR	齒輪轂	1	
6	23570-NAN-02	STARTER CLUTCH ASSEMBLY	起動離合器總成	1	
7	23576-NAN-02	STARTER CLUTCH, ROLLER	起動離合器滾珠	3	
8	23578-NAN-02	STARTER CLUTCH, COVER	起動離合器彈簧套	3	
9	23612-NAN-00	IDLE GEAR	惰齒輪	1	
10	23632-NAF-00	PLATE, IDLE GEAR	惰齒輪板	1	
11	23650-NAN-00	IDLE GEAR ASSEMBLY	惰齒輪總成	1	
12	93310-0812100	NEEDLE BEARING	滾針軸承	1	
13	93310-5559127	NEEDLE BEARING	滾針軸承	1	
14	93510-152030	BUSHING, KICK SHAFT	腳踩軸襯套	1	
15	94510-80032	SHAFT, GEAR	齒輪軸	2	
16	96210-06025-K	BOLT, HEXAGON	六角螺栓	1	
17	96310-06012-C	SCREW, PAN HEAD	十字孔頭螺絲	2	
18	97010-15010	CIRCLIP	C形扣環	1	
19	97201-081620-C	WASHER, PLATE	平面墊圈	2	
20	97201-152810-K	WASHER, PLATE	平面墊圈	1	
21	97201-557606	WASHER, GASKET STARTER WHEEL	起動輪襯片	1	
22	97501-0304023	STARTER CLUTCH, SPRING	起動離合器彈簧	3	

STARTING SYSTEM 起動系統



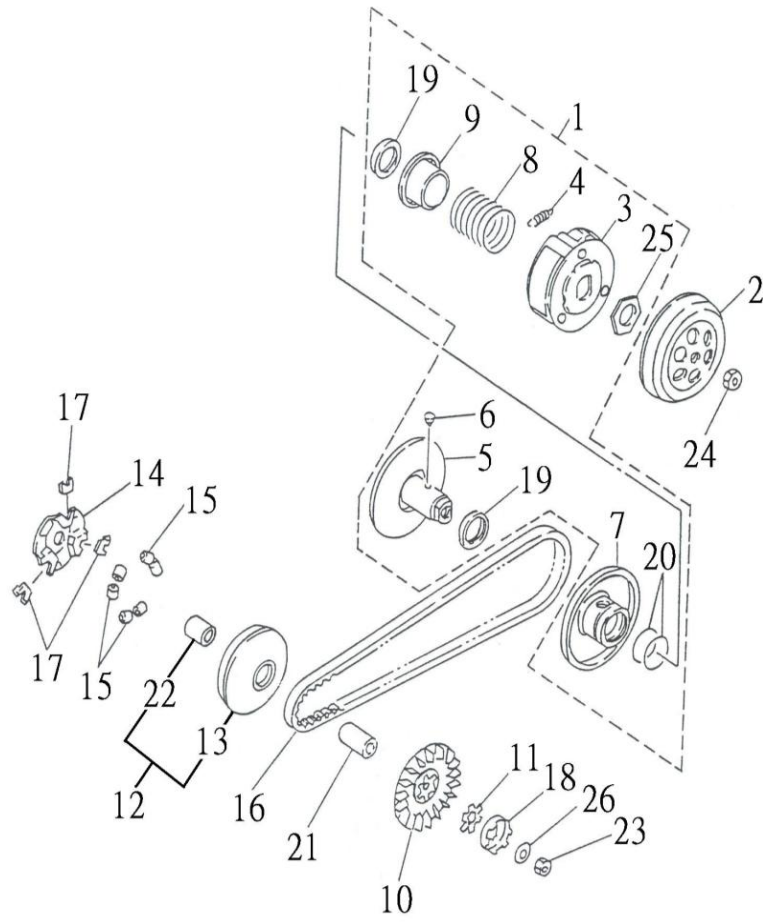
NO. 項目	PARTS NO. 零件號碼	PARTS NAME 零件名稱	QTY 用量	NOTE 備註
23	97508-32535	SPRING, TORSION	1	腳踩軸扭轉彈簧
24	97510-26300	CLIP, SPRING	1	彈簧夾

CLUTCH 離合器



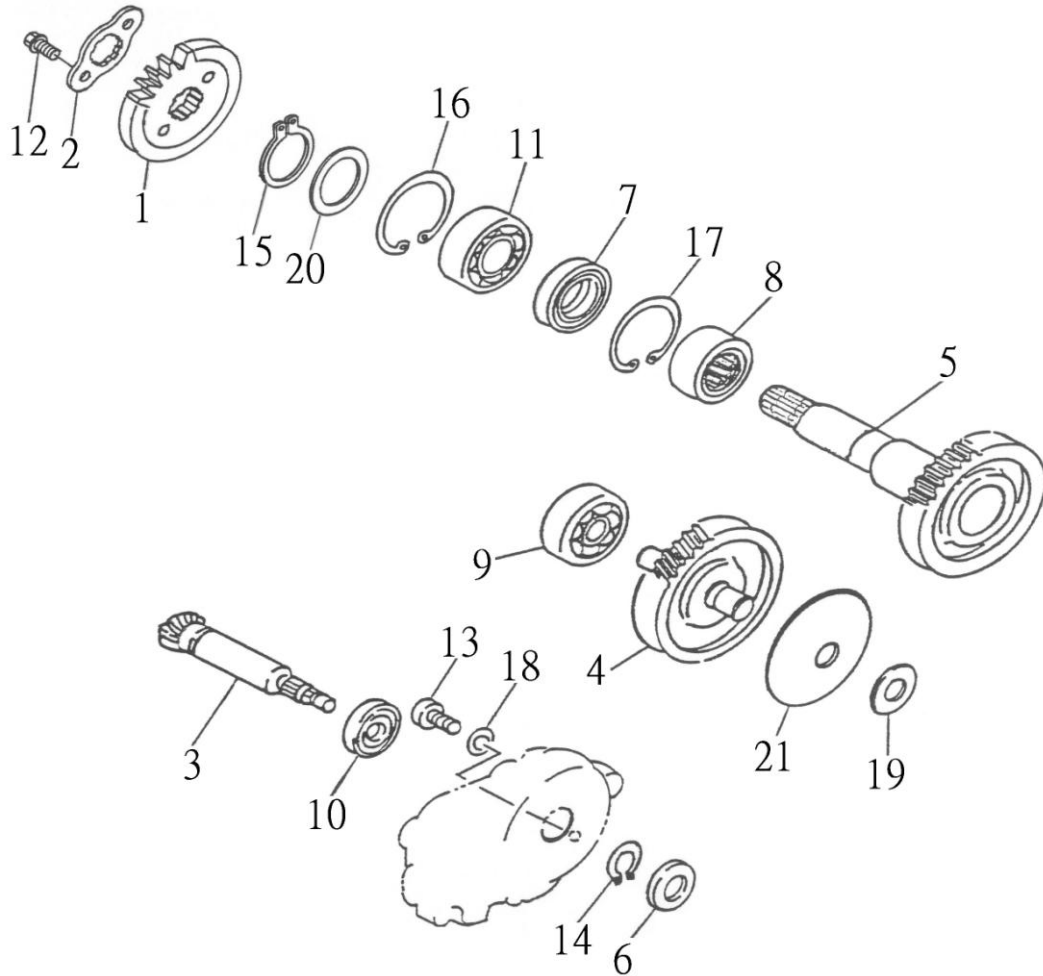
NO. 項目	PARTS NO. 零件號碼	PARTS NAME 零件名稱		QTY 用量	NOTE 備註
1	25602-NAN-01	SECONDARY SHEAVE ASSEMBLY	副槽輪總成	1	
2	25611-NAF-00	CLUTCH HOUSING COMP	離合器殼整體	1	
3	25620-NAF-00	CLUTCH CARRIER ASSEMBLY	離合器牽轉具總成	1	
4	25626-NAN-01	SPRING, CLUTCH WEIGHT	離合器重量彈簧	3	
5	25660-NAF-00	SECONDARY FIXED SHEAVE COMP	副固定槽輪	1	
6	25664-NAF-00	PIN, GUIDE	導銷	2	
7	25670-NAF-00	SECONDARY SLIDING SHEAVE	副滑動槽輪	1	
8	25680-NAN-01	SPRING, COMPRESSION	壓縮彈簧	1	
9	25684-NAF-00	SEAT, SECONDARY SPRING	副彈簧座	1	
10	25711-NAN-00	SHEAVE, PRIMARY FIXED	主固定槽輪	1	
11	25716-NAN-00	WASHER, CLAW	鉗墊圈	1	
12	25720-NAN-00	PRIMARY SLIDING SHEAVE COMP	主滑動槽輪整體	1	
13	25721-NAN-00	PRIMARY SLIDING SHEAVE	主滑動槽輪	1	
14	25723-NAN-00	CAM, PLATE	凸輪板	1	
15	25732-NAN-03	WEIGHT ROLLER 7.5g	重錘滾子	6	
16	25741-YAF-03	V-BELT	皮帶	1	
17	25753-NAF-00	SLIDER	滑件	3	
18	25757-NAN-00	CLUTCH, ONE-WAY	單向離合器	1	
19	93110-33394	OIL SEAL KC 33*39*4	油封	2	
20	93210-20360	O-RING 36*2.0	護油圈	2	
21	93510-162137	BUSHING, SLIDING CLUTCH	主滑動槽輪襯套	1	
22	93510-212622	BUSHING, SLIDING SHEAVE	主滑動槽輪銅襯套	1	

CLUTCH 離合器

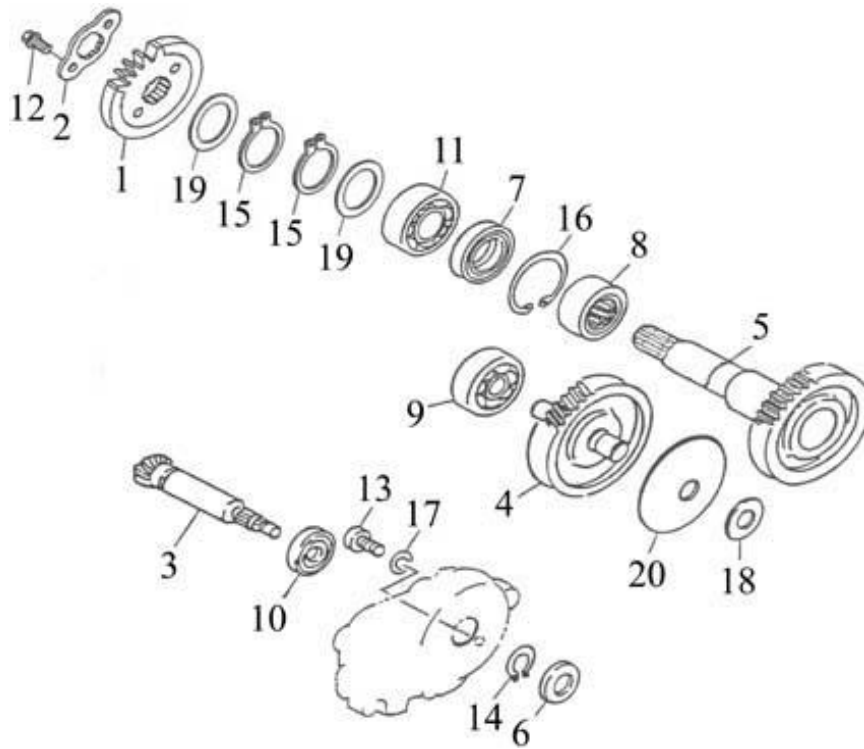


NO.	PARTS NO.	PARTS NAME	Q'TY	NOTE
項目	零件號碼	零件名稱	用量	備註
23	95201-101708-C	NUT, HEXAGON	1	六角螺帽
24	95201-102406-C	NUT, HEXAGON	1	六角螺帽
25	95201-284104-C	NUT, HEXAGON	1	六角螺帽
26	97310-102425	WASHER, CONICAL SPRING	1	錐形彈簧墊圈

TRANSMISSION SYSTEM 傳動系統

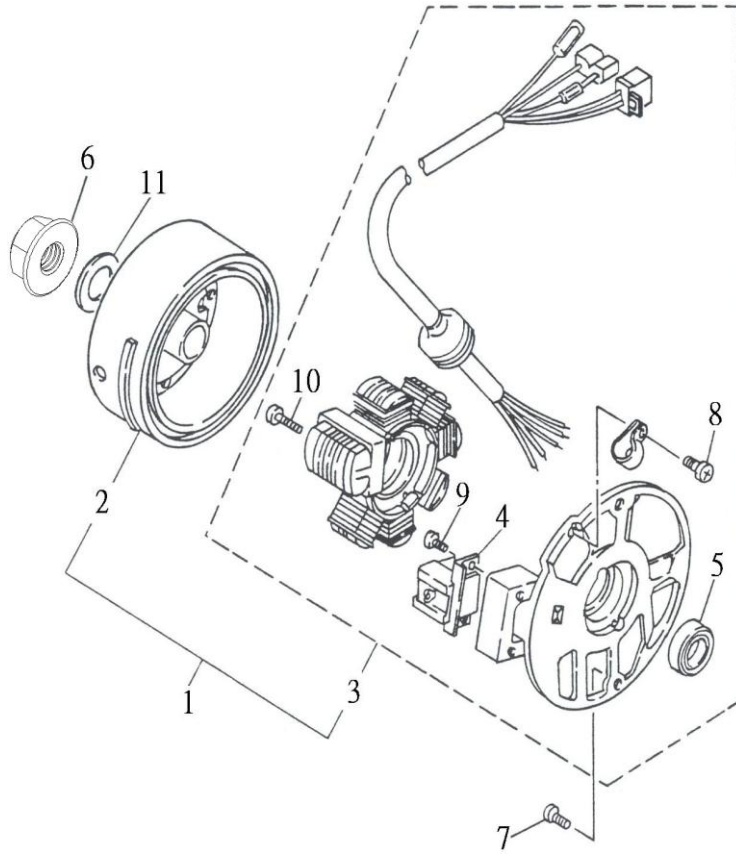


NO. 項目	PARTS NO. 零件號碼	PARTS NAME 零件名稱		QTY 用量	NOTE 備註
1	25711-SK9-01	SPROCKET DRIVE 428-18T	驅動鏈輪	1	
2	25716-CHP-00	PLATE, FIXING	驅動鏈輪固定板	1	
3	26111-YAN-00	GEAR, PRIMARY DRIVE 15T	主驅動軸	1	
4	26410-YAN-00	MAIN AXLE COMP 47/11T	惰輪軸總成	1	
5	26420-SK9-00	DRIVE AXLE ASSEMBLY 31T	傳動軸總成	1	
	26420-SK9-03	DRIVE AXLE ASSEMBLY 31T	傳動軸總成	1	左牙
6	93110-17285	OIL SEAL 17*28*5.5	油封	1	
7	93110-25356	OIL SEAL 25*35*6	油封	1	
8	93310-2533160	NEEDLE BEARING HMK-2516	滾針軸承	1	
9	93320-123210M	BALL BEARING 6201CM/2A	滾珠軸承	1	
10	93320-173510M	BALL BEARING 6003CM/2A	滾珠軸承	1	
11	93320-204212UU	BALL BEARING 6004LLUCM/5K	滾珠軸承	1	
12	96210-06010-B	BOLT, HEXAGON	六角螺栓	2	
13	96310-06010-B	SCREW, PAN HEAD	十字孔頭螺絲	1	
14	97010-17010-K	CIRCLIP STW-17	C形扣環	1	
15	97010-20012-K	CIRCLIP	C形扣環	1	
16	97012-42018-K	CIRCLIP RTW-42	C形內扣環	1	
17	97013-33012-K	CIRCLIP IR-33	C形內扣環	1	
18	97201-061910-B	WASHER, PLATE	平面墊圈	1	
19	97201-122210	WASHER, PLATE	平面墊圈	1	
20	97201-202810-K	WASHER, PLATE	平面墊圈	1	
21	97310-126005	WASHER, CONICAL SPRING	錐形彈簧墊圈	1	



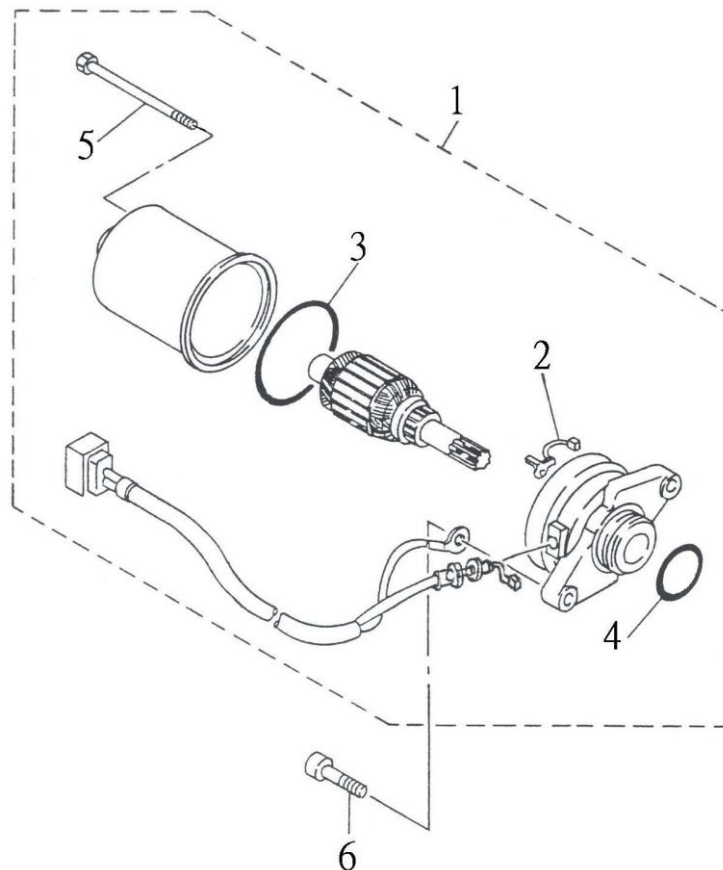
NO. 項目	PARTS NO. 零件號碼	PARTS NAME 零件名稱		QTY 用量	NOTE 備註
1	25711-SK9-02	SPROCKET DRIVE 428-18T	驅動鏈輪	1	
2	25716-SK9-00	PLATE, FIXING	驅動鏈輪固定板	1	
3	26111-YAN-00	GEAR, PRIMARY DRIVE 15T	主驅動軸	1	
4	26410-YAN-00	MAIN AXLE COMP 47/11T	惰輪軸總成	1	
5	26420-SK9-04	DRIVE AXLE ASSEMBLY 31T	傳動軸總成	1	
6	93110-17285	OIL SEAL 17*28*5.5	油封	1	
7	93110-25356	OIL SEAL 25*35*6	油封	1	
8	93310-2533160	NEEDLE BEARING HMK-2516	滾針軸承	1	
9	93320-123210M	BALL BEARING 6201CM/2A	滾珠軸承	1	
10	93320-173510M	BALL BEARING 6003CM/2A	滾珠軸承	1	
11	93320-204212UU	BALL BEARING 6004LLUCM/5K	滾珠軸承	1	
12	96210-06010-B	BOLT, HEXAGON	六角螺栓	2	
13	96310-06010-B	SCREW, PAN HEAD	十字孔頭螺絲	1	
14	97010-17010-K	CIRCLIP STW-17	C形扣環	1	
15	97010-20012-K	CIRCLIP	C形扣環	2	
16	97013-33012-K	CIRCLIP IR-33	C形內扣環	1	
17	97201-061910-B	WASHER, PLATE	平面墊圈	1	
18	97201-122210	WASHER, PLATE	平面墊圈	1	
19	97201-202810-K	WASHER, PLATE	平面墊圈	2	
20	97310-126005	WASHER, CONICAL SPRING	錐形彈簧墊圈	1	

GENERATOR 發電機



NO. 項目	PARTS NO. 零件號碼	PARTS NAME 零件名稱		QTY 用量	NOTE 備註
1	35500-NAF-00	GENERATOR ASSEMBLY	發電機總成	1	
2	35550-NAF-00	ROTOR ASSEMBLY	轉子總成	1	
3	35560-NAF-00	BASE ASSEMBLY	發電機座總成	1	
4	35580-NAF-00	COIL, PULSE	脈動線圈	±	
5	93110-19265	OIL SEAL	油封	±	
6	95401-101409-C	NUT, FLANGE	凸緣螺帽	1	
7	96310-06016-C	SCREW, PAN HEAD	十字孔頭螺絲	2	
8	96312-04008-C	SCREW, PAN HEAD WITH WASHER	十字孔頭螺絲附墊圈	±	
9	96312-06010-C	SCREW, PAN HEAD WITH WASHER	十字孔頭螺絲附墊圈	2	
10	96312-06025-C	SCREW, PAN HEAD WITH WASHER	十字孔頭螺絲附墊圈	2	
11	97201-101726-C	WASHER, PLATE	平面墊圈	1	

STARTING MOTOR 起動馬達



NO.	PARTS NO.	PARTS NAME		Q'TY	NOTE
項目	零件號碼	零件名稱		用量	備註
1	35800-NAN-00	STARTING MOTOR ASSEMBLY	起動馬達	1	
2	35801-NAN-00	BRUSH SET	電刷組	±	
3	35811-NAN-00	GASKET, YOKE	墊片	±	
4	93210-19230	O-RING	護油圈	1	
5	96414-04068-C	BOLT, FLANGE	凸緣螺栓	2	
6	96510-06020-G	BOLT, SOCKET	六角承窩螺栓	2	

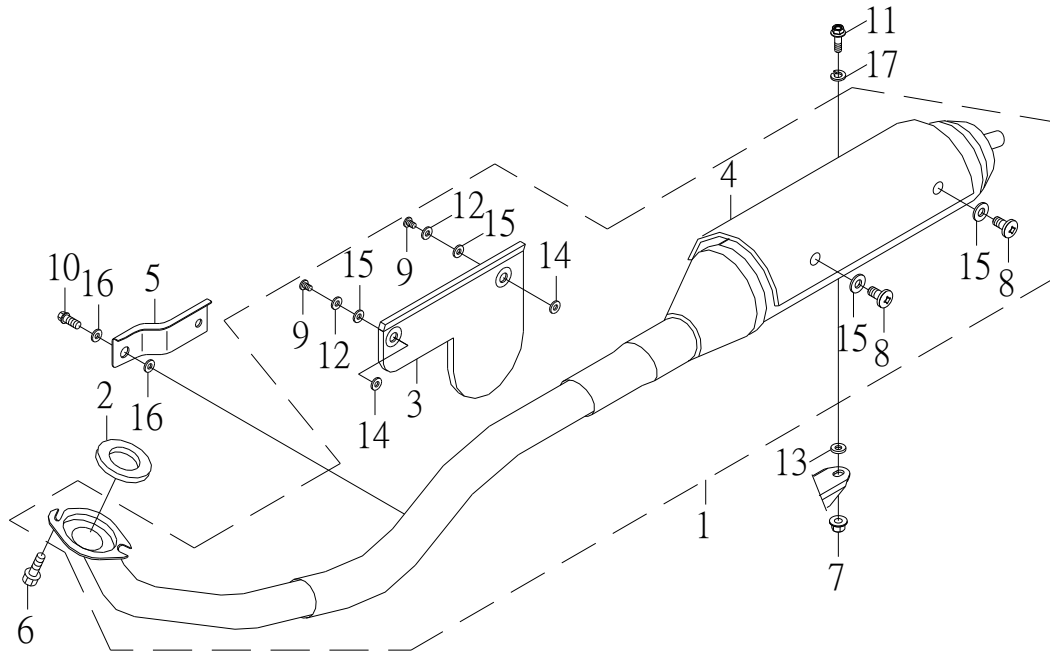
2004.06.29

35800-NAN-00A

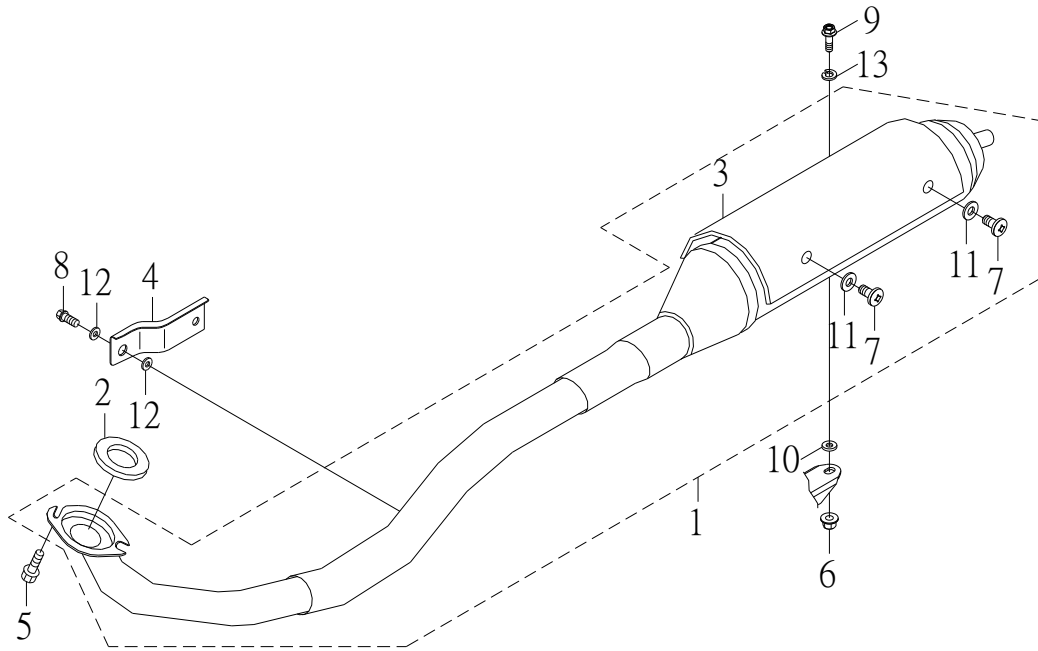
NOTE: 1) parts no. will be updated promptly by SMC, if necessary.

- 2) please select your suitable parts as model you have.
- 3) strongly recommend to re-confirm parts with sales department.
- 4) please remark the color if necessary.

EXHAUST MUFFLER 排氣管

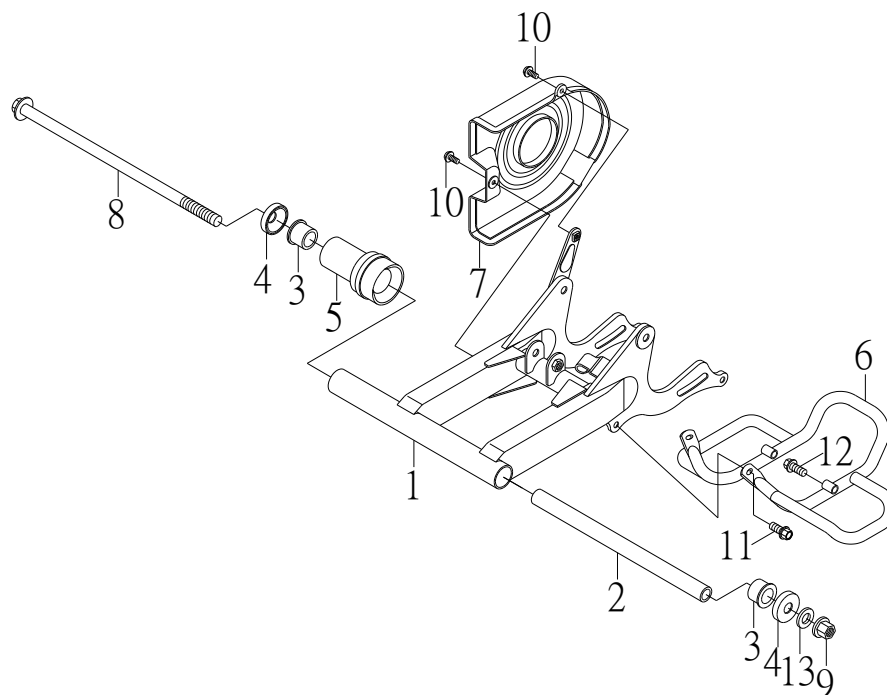


NO.	PARTS NO.	PARTS NAME		Q'TY	NOTE
項目	零件號碼	零件名稱		用量	備註
1	31610-SK9-02	EXHAUST MUFFLER ASSY	排氣管總成	1	
2	31613-NAF-00	GASKET, EXHAUST PIPE (25.4*34*4)	排氣管墊片	1	
3	31618-SK9-00	PROTECTOR, EXHAUST	排氣管護罩	1	
4	31619-SK9-00	PROTECTOR, ELIMINATOR	消音筒護罩	1	
5	31661-SK9-01	BRACKET, EXHAUST	排氣管托架	1	
6	94714-06018-C	BOLT, FLANGE	十字孔凸緣螺栓	2	
7	95401-081208-B	NUT, FLANGE	凸緣螺帽	1	
8	96316-06010-K	SCREW, PAN HEAD	十字孔頭螺絲	4	
9	96411-06010-B	BOLT, FLANGE	凸緣螺栓	2	
10	96414-08012-B	BOLT, FLANGE	凸緣螺栓	2	
11	96414-08035-B	BOLT, FLANGE	凸緣螺栓	1	
12	97201-061310-K	WASHER, PLATE	平面墊圈	2	
13	97201-082215-B	WASHER, PLATE	平面墊圈	1	
14	97210-051215	WASHER, PLATE	石棉墊圈	2	
15	97210-061215	WASHER, PLATE	石棉墊圈	10	
16	97210-081515	WASHER, PLATE	石棉墊圈	4	
17	97301-081520-B	WASHER, SPRING	彈簧墊圈	1	



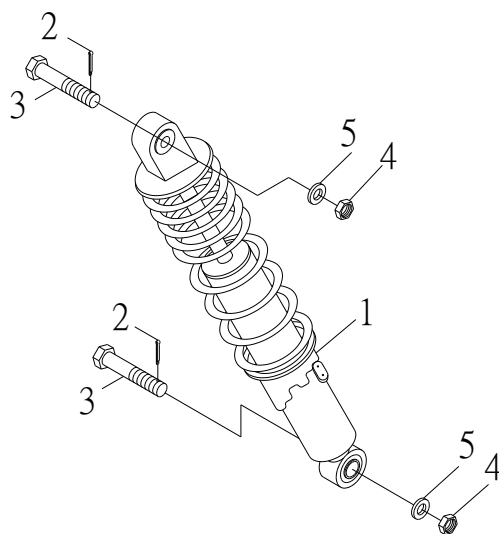
NO.	PARTS NO.	PARTS NAME		Q'TY	NOTE
項目	零件號碼	零件名稱		用量	備註
1	31610-SK9-02	EXHAUST MUFFLER ASSY	排氣管總成	1	
2	31613-NAF-00	GASKET, EXHAUST PIPE (25.4*34*4)	排氣管墊片	1	
3	31619-SK9-00	PROTECTOR, ELIMINATOR	消音筒護罩	1	
4	31661-SK9-01	BRACKET ,EXHAUST	排氣管托架	1	
5	94714-06018-C	BOLT, FLANGE	十字孔凸緣螺栓	2	
6	95401-081208-B	NUT, FLANGE	凸緣螺帽	1	
7	96316-06010-K	SCREW, PAN HEAD	十字孔頭螺絲	4	
8	96414-08012-B	BOLT, FLANGE	凸緣螺栓	2	
9	96414-08035-B	BOLT, FLANGE	凸緣螺栓	1	
10	97201-082215-B	WASHER, PLATE	平面墊圈	1	
11	97210-061215	WASHER, PLATE	石棉墊圈	8	
12	97210-081515	WASHER, PLATE	石棉墊圈	4	
13	97301-081520-B	WASHER, SPRING	彈簧墊圈	1	

REAR ARM 擺動臂



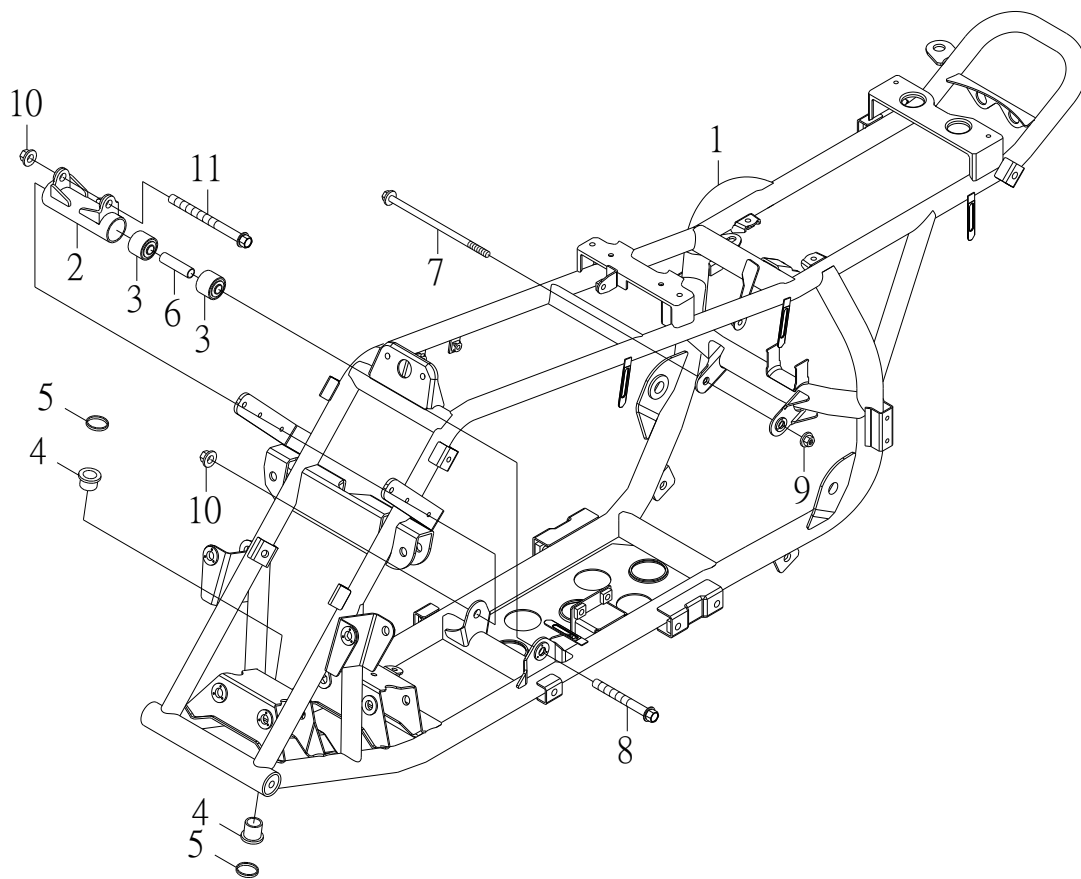
NO.	PARTS NO.	PARTS NAME		Q'TY	NOTE
項目	零件號碼	零件名稱		用量	備註
1	32100-BL9-00	REAR ARM	擺動臂	1	
2	32115-SK9-00	BUSH	擺動臂軸襯	1	
3	32116-SK9-00	BUSH, SOLID	擺動臂襯套	2	
4	32118-SK9-00	COVER, THRUST	擺動臂塵封蓋	2	
5	32160-SK9-00	SEAL, GUARD	鏈條導環	1	
6	32190-BL9-00	COVER	下護蓋	1	
7	32191-SK9-00	DRIVE CHAIN CASE	鏈條蓋	1	
8	94610-14290-B	SHAFT, PIVOT	擺動臂軸	1	
9	95301-142212-B	NUT, LOCK	止鬆螺帽	1	
10	96318-06012-G	SCREW, PAN HEAD	十字孔頭螺絲	2	
11	96414-08012-B	BOLT, FLANGE	凸緣螺栓	2	
12	96414-08025-B	BOLT, FLANGE	凸緣螺栓	2	
13	97201-142820-B	WASHER, PLATE	平面墊圈	1	

REAR SUSPENSION 後懸吊系統



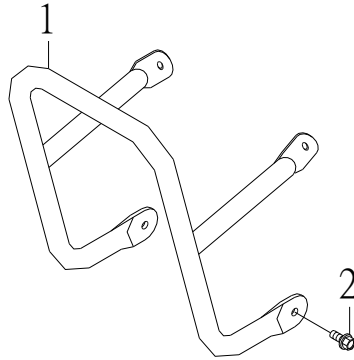
NO.	PARTS NO.	PARTS NAME		Q'TY	NOTE
項目	零件號碼	零件名稱		用量	備註
1	32210-SK9-02	SHOCK ABSORBER ASSY, REAR	後緩衝器總成	1	
2	90240-18016-B	COTTER PIN 1.8*16	開口銷	2	
3	94716-08039-B	BOLT	後緩衝器固定軸	2	
4	95201-081207-B	NUT, HEXAGON	六角螺帽	2	
5	97201-081823-B	WASHER, PLATE	平面墊圈	2	

FRAME 車架



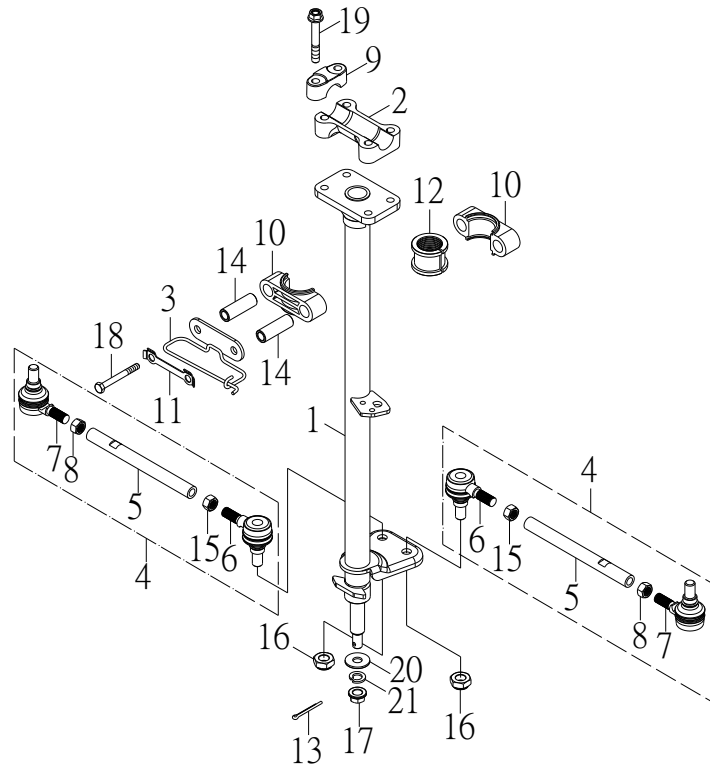
NO.	PARTS NO.	PARTS NAME	QTY	NOTE
項目	零件號碼	零件名稱	用量	備註
1	41110-BLA-01	FRAME COMP	1	車架整體
2	41181-SK9-00	ENGINE HANGER F	1	引擎前固定座
3	41416-SK9-00	BUSH	2	吊架襯套
4	46412-RAM-00	BUSH, SOLID	2	轉向桿襯套
5	93210-24148	O-RING 2.4*14.8	2	護油圈
6	93510-101535-K	COLLAR	1	引擎座隔管
7	94610-08130-B	BOLT, FLANGE	1	吊架固定軸
8	94610-10120-B	BOLT, FLANGE	1	吊架固定軸
9	95401-081208-B	NUT, FLANGE	1	凸緣螺帽
10	95401-101409-B	NUT, FLANGE	2	凸緣螺帽
11	96414-10085-B	BOLT, FLANGE	1	凸緣螺栓

BUMPER 保護桿



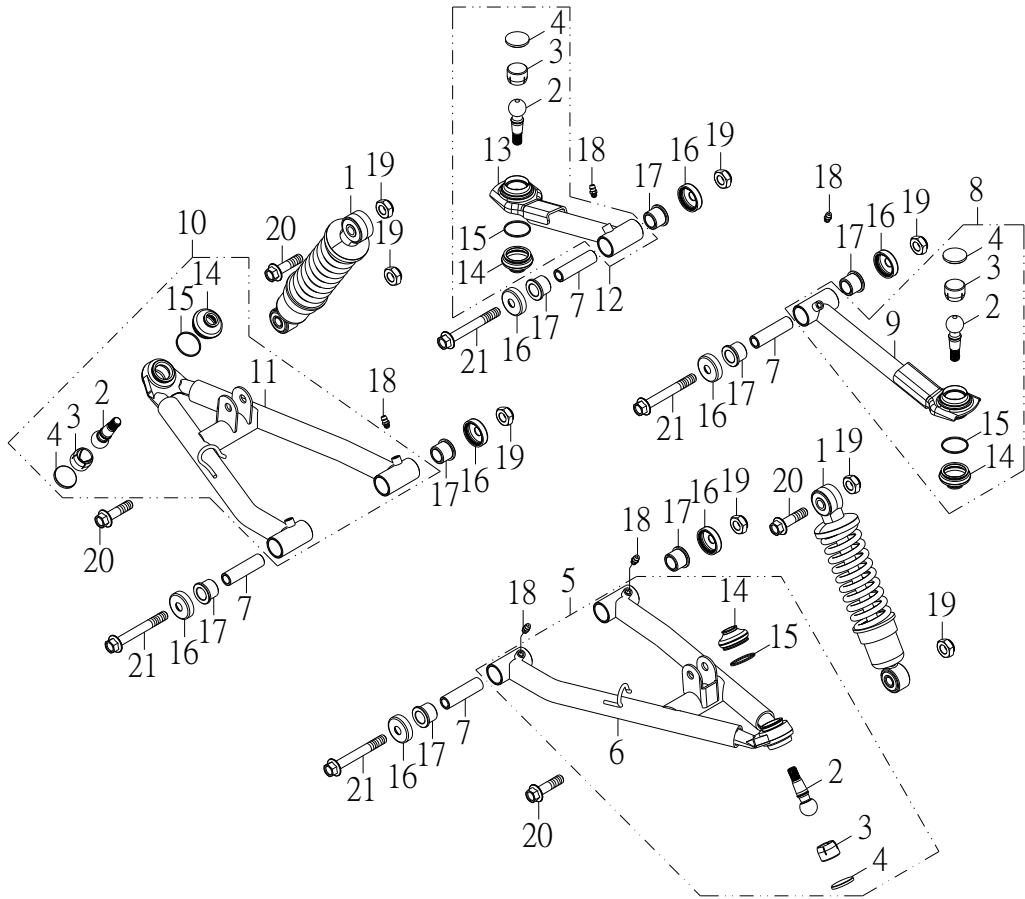
NO.	PARTS NO.	PARTS NAME	Q'TY	NOTE
項目	零件號碼	零件名稱	用量	備註
1	41601-BLA-00	SHIELD, FRONT	1	前保護桿
2	96414-08012-B	BOLT, FLANGE	4	凸緣螺栓

STEERING 轉向裝置



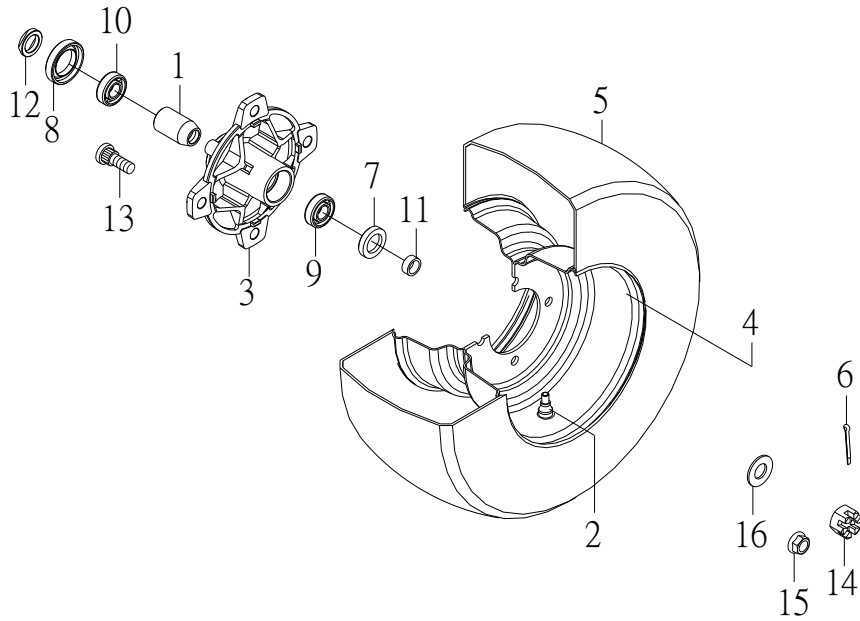
NO. 項目	PARTS NO. 零件號碼	PARTS NAME 零件名稱		Q'TY 用量	NOTE 備註
1	42101-BLA-00	COLUMN, STEERING	轉向桿	1	
2	42106-SK9-00	BRIDGE, TOP	頂樑	1	
3	42118-AAM-00	BRACKET, STEERING LOWER	導線環	1	
4	42140-BLA-00	ROD, TIE ASSY	連桿總成	2	
5	42141-BLA-00	ROD, TIE	連桿	2	
6	42142-SK9-00	JOINT, UNIVERSAL 1	萬向接頭 內	2	
7	42143-SK9-00	JOINT, UNIVERSAL 2	萬向接頭 外	2	
8	42146-RAM-00	NUT	連桿螺帽	2	
9	46125-RAM-00	HOLDER, HANDLE UPPER	把手上固定座	2	
10	46411-RAM-00	HOLDER, STEERING	轉向桿固定座	2	
11	46416-RAM-00	WASHER, LOCK	制止片	1	
12	46417-SK9-00	PU BUSH	PU襯套	1	
13	90240-23020-B	COTTER PIN 2.3*20	開口銷	1	
14	93510-081442-C	COLLAR	轉向桿座隔管	2	
15	95201-101408-C	NUT, HEXAGON	六角螺帽	2	
16	95311-101710-B	NUT, NYLON	尼龍螺帽	2	
17	95401-101409-B	NUT, FLANGE	凸緣螺帽	1	
18	96210-08055-B	BOLT, HEXAGON	六角螺栓	2	
19	96414-08050-B	BOLT, FLANGE	凸緣螺栓	4	
20	97201-102620-B	WASHER, PLATE	平面墊片	1	
21	97301-101825-B	WASHER, SPRING	彈簧墊圈	1	

FRONT SUSPENSION 前懸吊系統



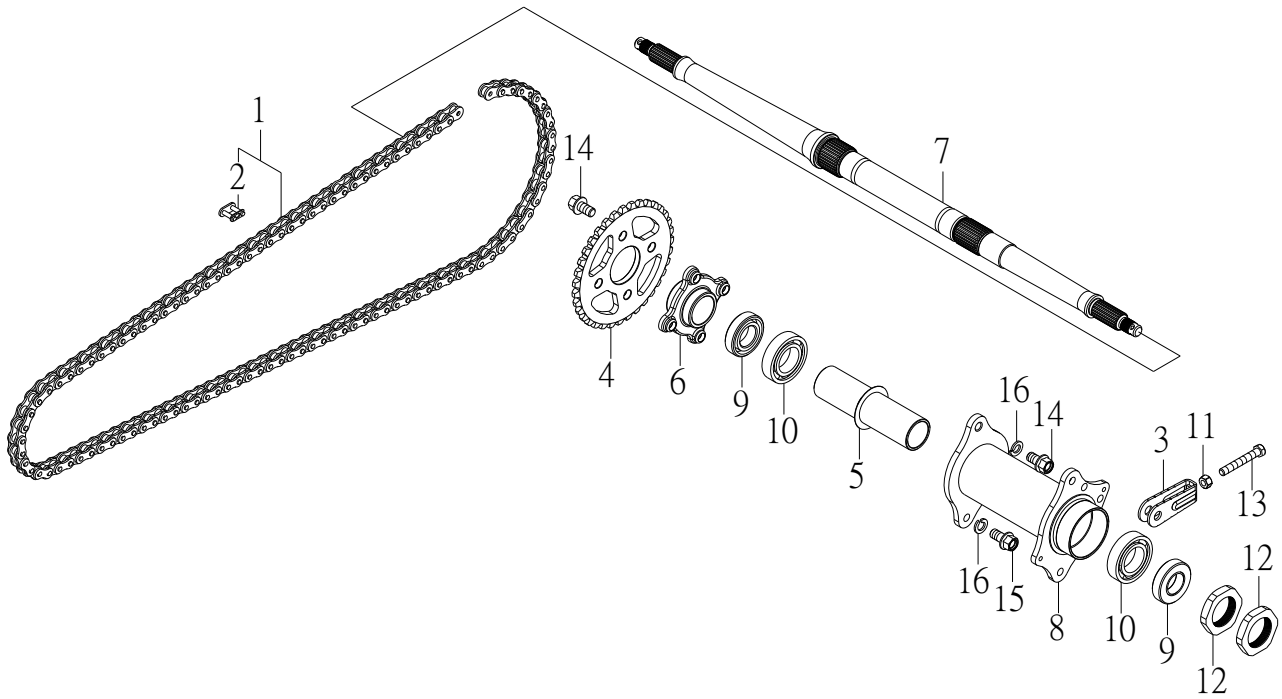
NO. 項目	PARTS NO. 零件號碼	PARTS NAME 零件名稱		QTY 用量	NOTE 備註
1	42126-BLA-00	SHOCK ABSORBER ASSY	前緩衝器總成	2	
2	42151-RAM-00	STEEL BEARING STUD	下萬向軸心	4	
3	42154-RAM-00	SHEATH	萬向承套	4	
4	42156-RAM-00	WASHER, PLATE	墊片	4	
5	42161-BLA-00	FRONT LOWER, ARM LEFT	左前下搖臂	1	
6	42161-BLA-00G	FRONT LOWER, ARM LEFT	左前下搖臂	1	
7	42163-RAM-00	COLLAR	下搖臂軸襯	6	
8	42166-BLA-00	FRONT UPPER, ARM LEFT	左前上搖臂	1	
9	42166-BLA-00G	FRONT UPPER, ARM LEFT	左前上搖臂	1	
10	42171-BLA-00	FRONT LOWER, ARM RIGHT	右前下搖臂	1	
11	42171-BLA-00G	FRONT LOWER, ARM RIGHT	右前下搖臂	1	
12	42176-BLA-00	FRONT UPPER, ARM RIGHT	右前上搖臂	1	
13	42176-BLA-00G	FRONT UPPER, ARM RIGHT	右前上搖臂	1	
14	42181-RAM-00	DUST COVER	防塵套	4	
15	42182-RAM-00	CIRCLIP	萬向扣環	4	
16	42183-RAM-00	COVER, THRUST	塵封蓋	12	
17	93330-152118	BUSH, SOLID	羅龍滑動軸承	12	
18	94340-06010-B	NIPPLE, GREASE M6*P1.0	黃油嘴	6	
19	95311-101710-B	NUT, NYLON	尼龍螺帽	10	
20	96414-10055-B	BOLT, FLANGE	凸緣螺栓	4	
21	96414-10080-B	BOLT, FLANGE	凸緣螺栓	6	

FRONT WHEEL 前輪



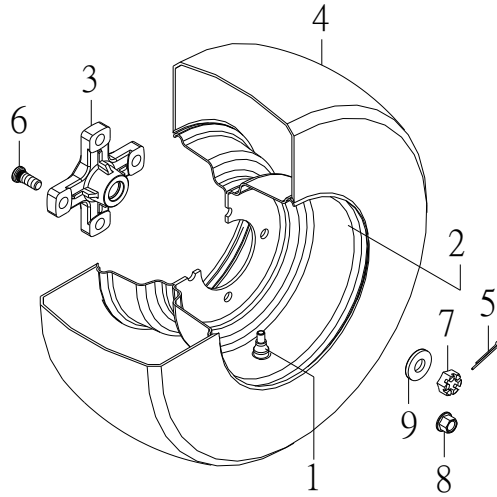
NO. 項目	PARTS NO. 零件號碼	PARTS NAME 零件名稱		QTY 用量	NOTE 備註
1	42515-RAM-00	SPACER, BEARING	前輪轂隔管	2	
2	42570-RAM-00	VALVE, RIM	氣門嘴	2	
3	42581-RAM-01	HUB, FRONT	前輪轂	2	
4	42582-RAM-00	WHEEL, FRONT AT10*5.5AT	前輪圈	2	
5	42590-SK9-05	TIRE, FRONT AT20*6-10 K532F	前輪胎	2	
6	90240-29025-B	COTTER PIN 2.9*25	開口銷	2	
7	93110-22357	OIL SEAL TC 22*35*7	油封	2	
8	93110-30424	OIL SEAL TC 30*42*4.5	油封	2	
9	93320-153511S	BALL BEARING 6202 CS05/2A	滾珠軸承	2	
10	93320-204212M	BALL BEARING 6004CM/2A	滾珠軸承	2	
11	93510-152209-C	COLLAR	前輪轂側隔管	2	
12	93510-203006-C	SPACER, BEARING	前輪轂隔管	2	
13	94710-10032-C	BOLT, RIBBED NECK	輪圈固定螺栓	8	
14	95321-142215-C	NUT, CASTLE	有槽螺帽	2	
15	95401-101409-C	NUT, FLANGE	凸緣螺帽	8	
16	97201-142820-C	WASHER, PLATE 14.2*28.4*2	平面墊圈	2	

REAR HUB 後輪轂



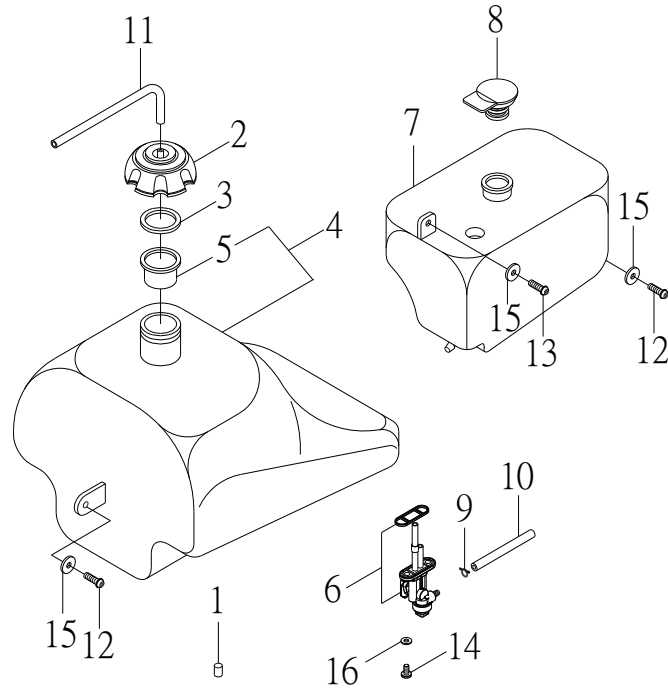
NO. 項目	PARTS NO. 零件號碼	PARTS NAME 零件名稱		QTY 用量	NOTE 備註
1	25741-SK9-00	CHAIN 428HG*88L	鏈條	1	
2	25742-SK9-00	JOINT, CHAIN	鏈條接頭	1	
3	32120-RAM-00	ADJUSTER, CHAIN	鏈條調整器	2	
4	42812-SK9-00	SPROCKET, DRIVEN 428-35T	傳動鏈輪	1	
5	42815-SK9-00	SPACER, BEARING	後輪隔管	1	
6	42821-SK9-00	DRIVE SPROCKET BASE	傳動鏈輪座	1	
7	42835-SKT-00	AXLE, WHEEL	後輪軸	1	
8	42881-SK9-00	HUB, REAR	後輪轂	1	
9	93110-42558	OIL SEAL 42*55*8	油封	2	
10	9332C-305513Z	BALL BEARING 6006Z	滾珠軸承	2	
11	95201-081207-B	NUT, HEXAGON	六角螺帽	2	
12	95201-284114-C	NUT, HEXAGON	六角螺帽	2	
13	96210-08055-B	BOLT, HEXAGON	六角螺栓	2	
14	96414-10020-B	BOLT, FLANGE	凸緣螺栓	6	
15	96414-10025-B	BOLT, FLANGE	凸緣螺栓	2	
16	97301-101825-B	WASHER, SPRING	彈簧墊圈	4	

REAR WHEEL 後輪



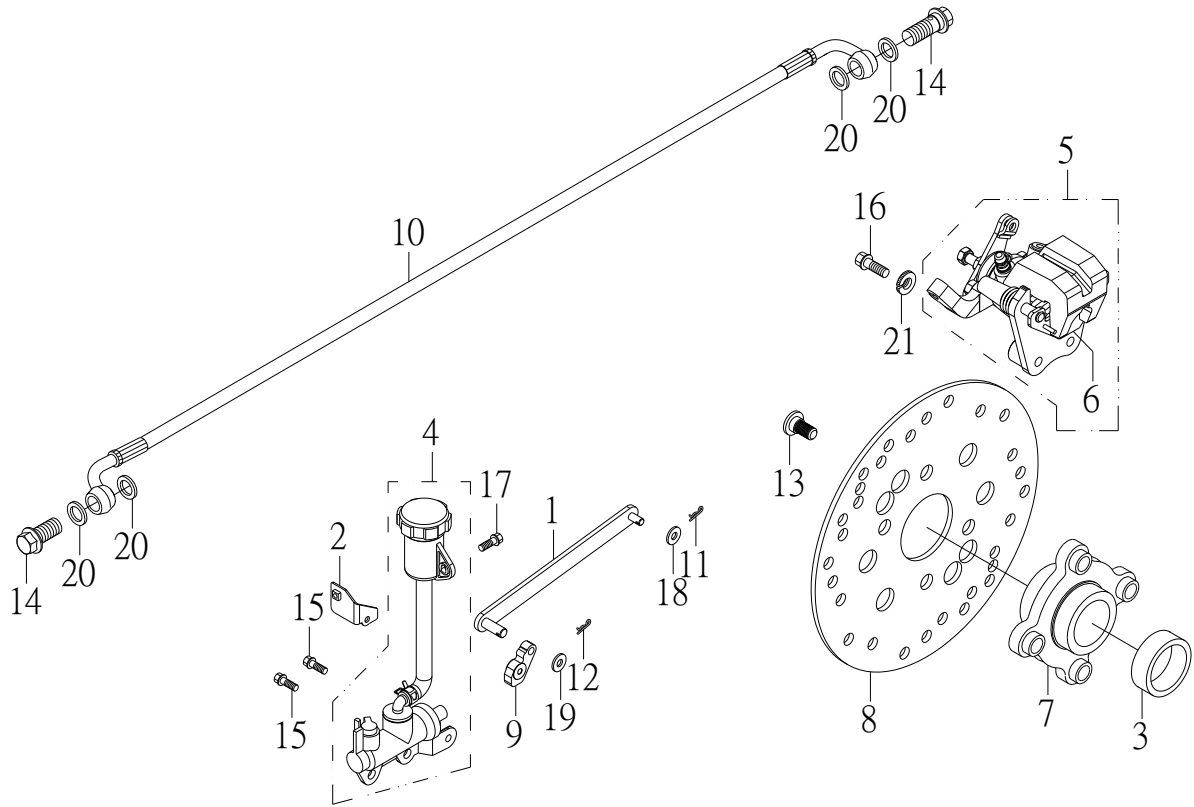
NO. 項目	PARTS NO. 零件號碼	PARTS NAME 零件名稱		Q'TY 用量	NOTE 備註
1	42570-RAM-00	VALVE, RIM	氣門嘴	2	
2	42882-SK9-00	WHEEL, REAR 8.0*5.5AT	後輪圈	2	
3	42885-SK9-00	COLLAR, WHEEL	後輪固定座	2	
4	42890-SK9-01	TIRE, REAR AT18*9.5-8 K290 30F	後輪胎	2	
5	90240-29025-B	COTTER PIN 2.9*25	開口銷	2	
6	94710-10032-C	BOLT, STUD	輪圈固定螺栓	8	
7	95321-142215-C	NUT, CASTLE	有槽螺帽	2	
8	95401-101409-C	NUT, FLANGE	凸緣螺帽	8	
9	97201-143240-C	WASHER, PLATE 14.2*32.5*4.0	平面墊圈	2	

FUEL TANK 油箱



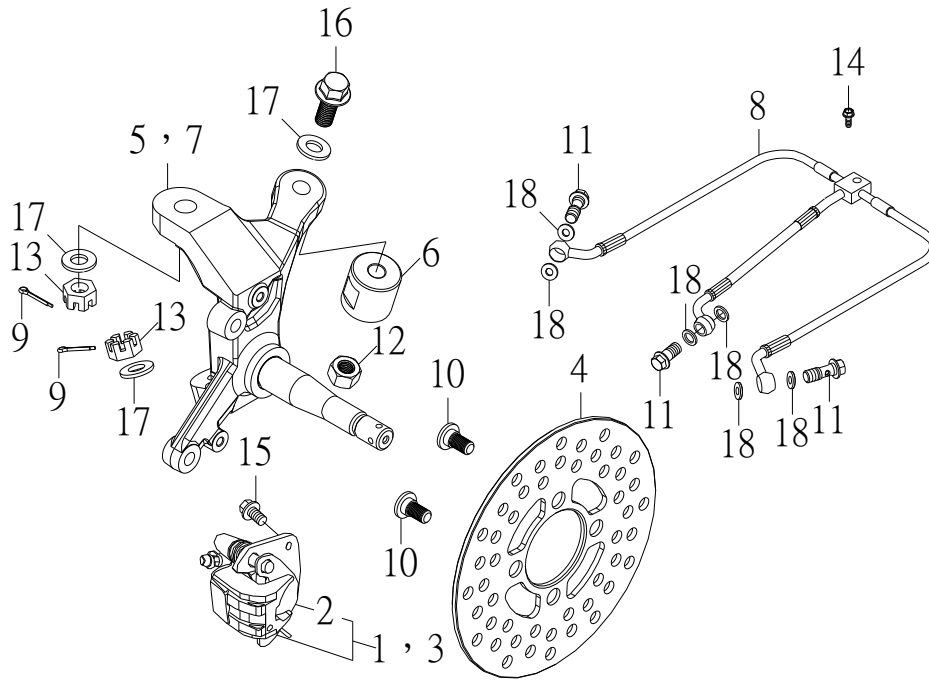
NO. 項目	PARTS NO. 零件號碼	PARTS NAME 零件名稱		Q'TY 用量	NOTE 備註
1	13223-NAF-00	PLUG	負壓管塞	1	
2	43102-SK9-00	CAP ASSY	汽油箱蓋總成	1	
3	43103-SK9-00	CAP WASHER	油箱蓋墊圈	1	
4	43110-SK9-02	PETROL TANK	汽油箱	1	
5	43114-SK9-00	INTAKE PIPE	油箱口內襯	1	
6	43500-RAM-01	FUEL COCK ASSY	油杯	1	
7	43751-SK9-00	OIL TANK	潤滑油箱	1	
8	43771-NAF-01	BODY, CAP	潤滑油箱蓋	1	
9	90210-12010	CLIP	管夾	1	
10	90310-50200	HOSE, FUEL 5*10*200	汽油管	1	
11	90310-50440	HOSE 5*8*440	通氣管	1	
12	96310-06016-C	SCREW, PAN HEAD	十字孔頭螺絲	2	
13	96310-06025-B	SCREW, PAN HEAD	十字孔頭螺絲	1	
14	96318-06012-G	SCREW, PAN HEAD	十字孔頭螺絲	2	
15	97201-061820-B	WASHER, PLATE	平面墊圈	3	
16	97210-061315	WASHER, PLATE	石棉墊圈	2	

REAR BRAKE 後剎車系統



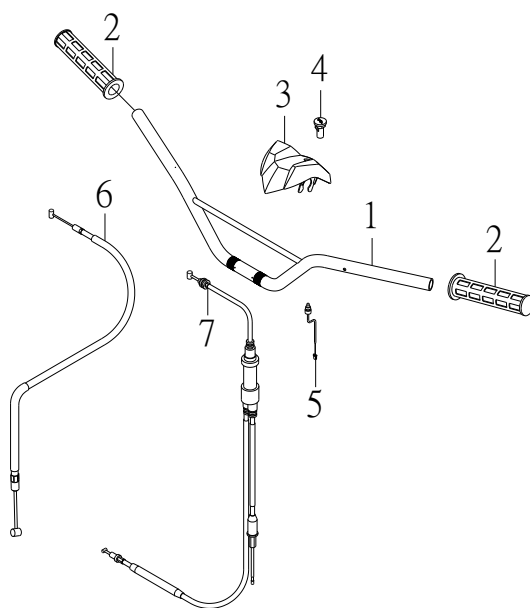
NO. 項目	PARTS NO. 零件號碼	PARTS NAME 零件名稱	QTY 用量	NOTE 備註
1	32361-BLA-00	ROD	1	後剎車壓力桿
2	41174-BLA-00	RESERVOIR HOLDER	1	油槽座
3	42836-SK9-00	SPACER, BEARING	1	剎車圓盤座隔管
4	45530-QUA-00	CYLINDER ASSY MASTER	1	剎車總泵總成
5	45801-URO-00	CALIPER ASSY	1	卡鉗總成
6	45815-RAM-01	PAD, CALIPER	1	剎車片組
7	45830-SK9-00	BRACKET, DISC	1	剎車圓盤座
8	45831-SK9-00	DISC, BRAKE	1	剎車圓盤
9	45872-BLA-00	LEVER, CAMSHAFT	1	剎車搖臂
10	61320-BLA-00	HOSE, BRAKE	1	剎車油管
11	90240-14016-B	COTTER PIN	1	開口銷
12	90240-18016-B	COTTER PIN	1	開口銷
13	94706-08017-B	BOLT, SOCKET	4	剎車盤固定螺栓
14	94716-10022-G	BOLT, UNION	2	接合螺栓
15	96414-08016-B	BOLT, FLANGE	2	凸緣螺栓
16	96414-08035-B	BOLT, FLANGE	2	凸緣螺栓
17	96612-05012-B	BOLT, HEXAGON WITH WASHER	1	六角十字穴螺栓附墊圈
18	97201-061415-B	WASHER, PLATE	1	平面墊圈
19	97201-081823-B	WASHER, PLATE	1	平面墊圈
20	97230-101512	WASHER, COPPER 10.3*15*1.2	4	銅墊圈
21	97301-081520-B	WASHER, SPRING	2	彈簧墊圈

STEERING KNUCKLE 轉向關節座



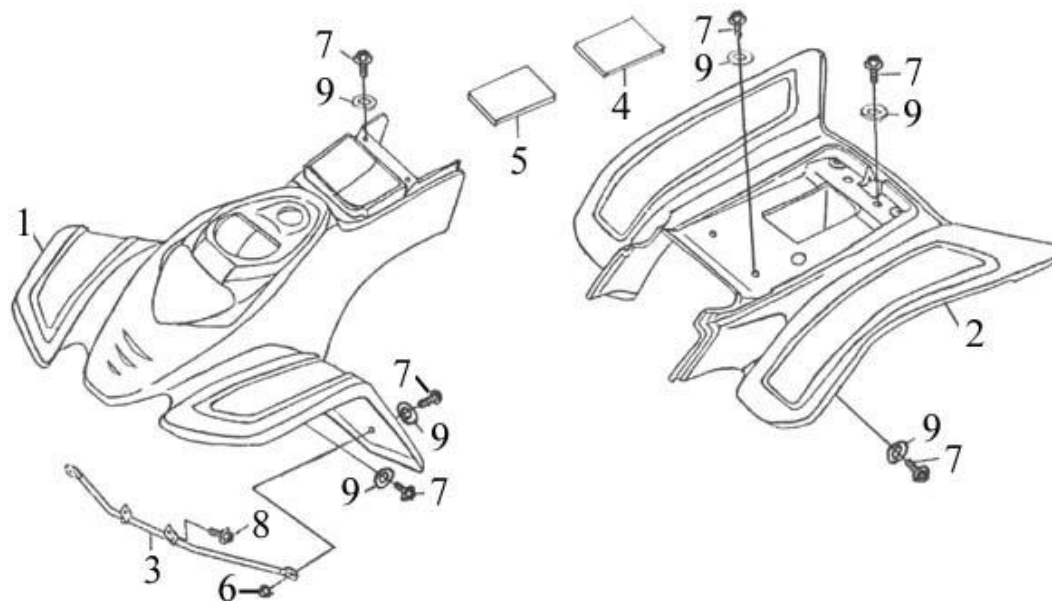
NO. 項目	PARTS NO. 零件號碼	PARTS NAME 零件名稱		Q'TY 用量	NOTE 備註
1	45811-URO-01	CALIPER ASSY, L FRONT	左前卡鉗總成	1	
2	45815-RAM-01	PAD, CALIPER	剎車片組	2	
3	45821-URO-01	CALIPER ASSY, R FRONT	右前卡鉗總成	1	
4	45831-RAM-01	DISK, BRAKE	剎車圓盤	2	
5	45860-CGV-00	KNUCKLE COMP, STEERING L	左前轉向關節座整體	1	
6	45862-BLA-00	CONNECTER	連結座	2	
7	45865-CGV-00	KNUCKLE COMP, STEERING R	右前轉向關節座整體	1	
8	61810-BLA-00	HOSE, FRONT BRAKE	前剎車油管	1	
9	90240-23020-B	COTTER PIN 2.3*20	開口銷	4	
10	94706-08017-B	BOLT, BUTTON	剎車盤固定螺栓	8	
11	94716-10022-G	BOLT, UNION	接合螺栓	3	
12	95201-101706-B	NUT, HEXAGON	六角螺帽	2	
13	95321-101710-C	NUT, CASTLE	有槽螺帽	4	
14	96414-06020-B	BOLT, FLANGE	凸緣螺栓	1	
15	96414-08020-B	BOLT, FLANGE	凸緣螺栓	4	
16	96414-10025-B	BOLT, FLANGE	凸緣螺栓	2	
17	97201-101805-B	WASHER, PLATE	平面墊圈	5	
18	97230-101512	WASHER, COPPER	銅墊圈	6	

STEERING HANDLE CABLE 轉向把手、鋼索



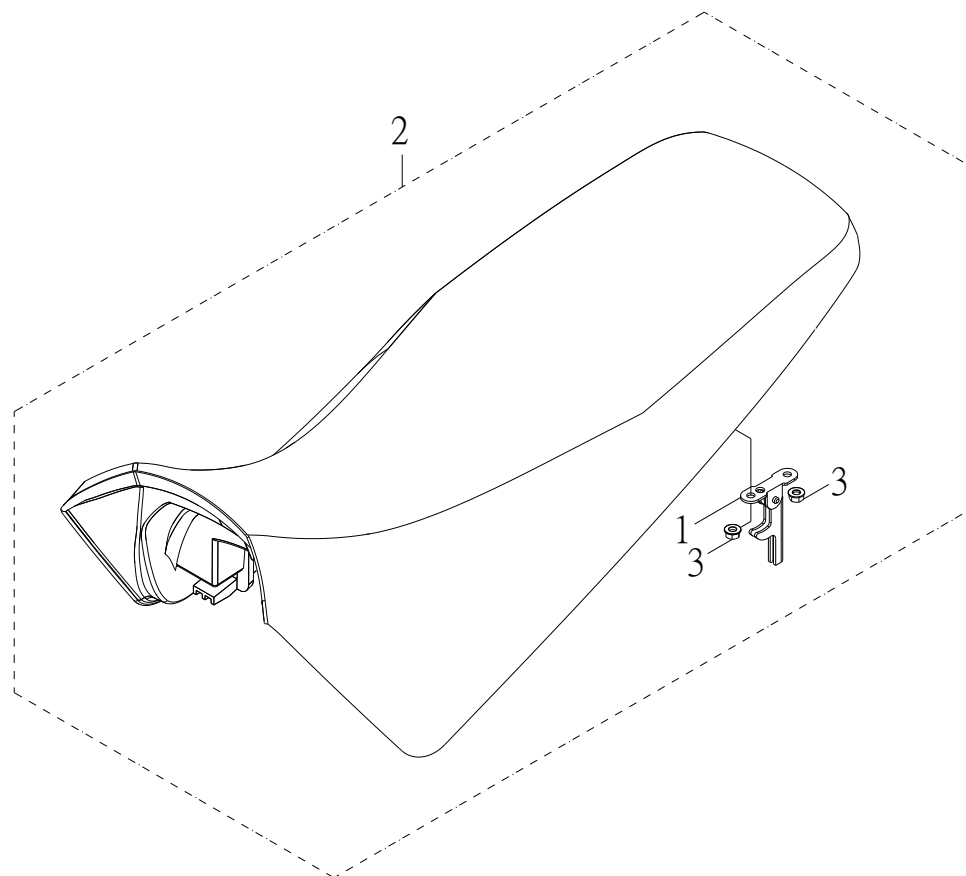
NO. 項目	PARTS NO. 零件號碼	PARTS NAME 零件名稱		Q'TY 用量	NOTE 備註
1	46110-BLA-00	HANDLEBAR	把手整體	1	
2	46240-MAX-00	GRIP	握把	2	
3	55213-CGW-00	PROTECTOR, HANDLEBAR	把手上蓋	1	
4	55555-BL9-00	INTERVAL LENS	潤滑油燈透鏡	1	
5	55565-SK9-00	WIRE, INTERVAL LENS	潤滑油燈配線	1	
6	61340-BLA-00	CABLE, HANDBRAKE	手剎車鋼索	1	
7	61620-BLA-00	CABLE, THROTTLE	節流鋼索	1	

FRONT FENDER 前土除

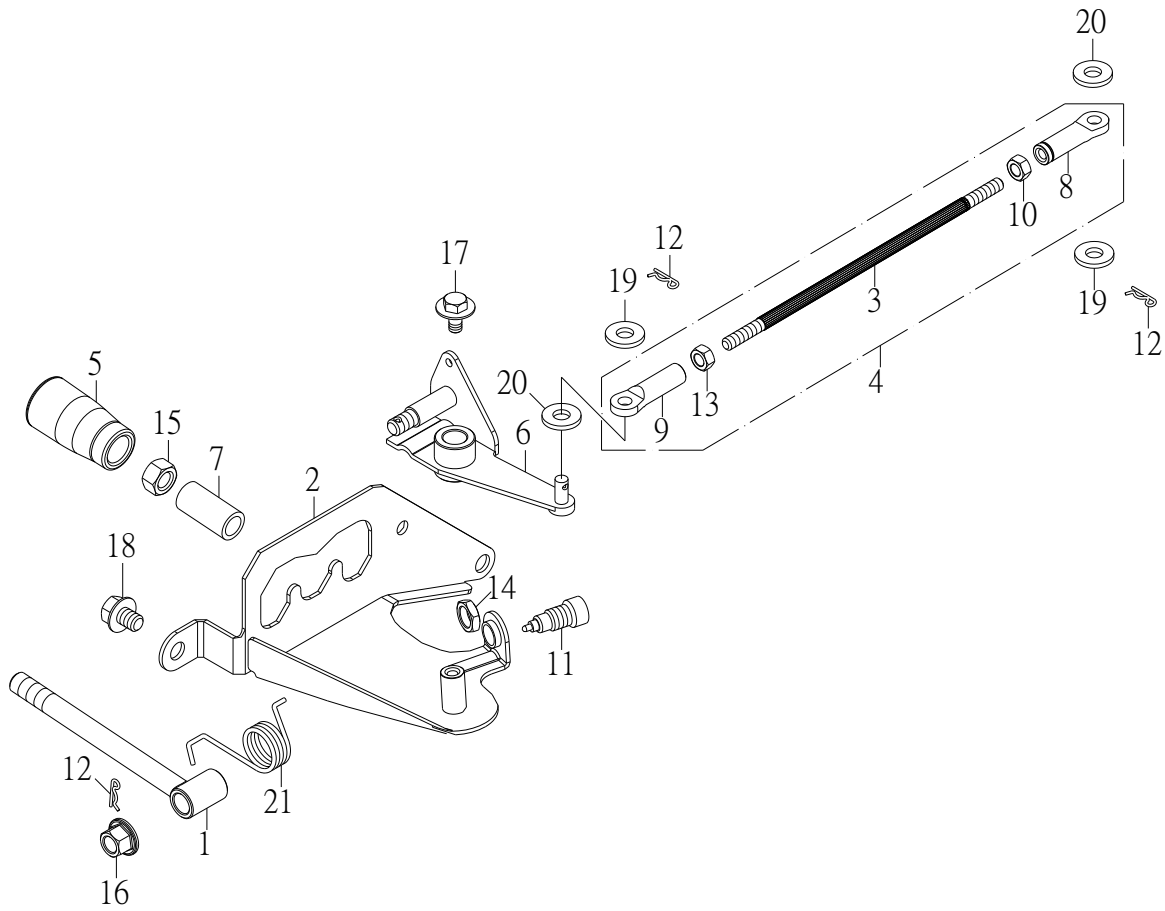


NO. 項目	PARTS NO. 零件號碼	PARTS NAME 零件名稱		Q'TY 用量	NOTE 備註
1	51161-ALO-00	COVER, FRONT	前蓋	1	
2	51171-BL9-00	COVER, REAR	後蓋	1	
3	51556-BL9-00	STAY, FRONT COVER	前蓋固定座	1	
4	52846-SK9-00	INSULATION PAPER	隔熱紙	1	
5	52846-SK9-01	INSULATION PAPER	隔熱紙	1	
6	95401-061006-B	NUT, FLANGE	凸緣螺帽	2	
7	96318-06015-G	SCREW, PAN HEAD	十字孔頭螺絲	12	
8	96414-06012-B	BOLT, FLANGE	凸緣螺栓	2	
9	97321-061825-G	WASHER, FLANGE	凸緣墊圈	12	

SEAT 座墊

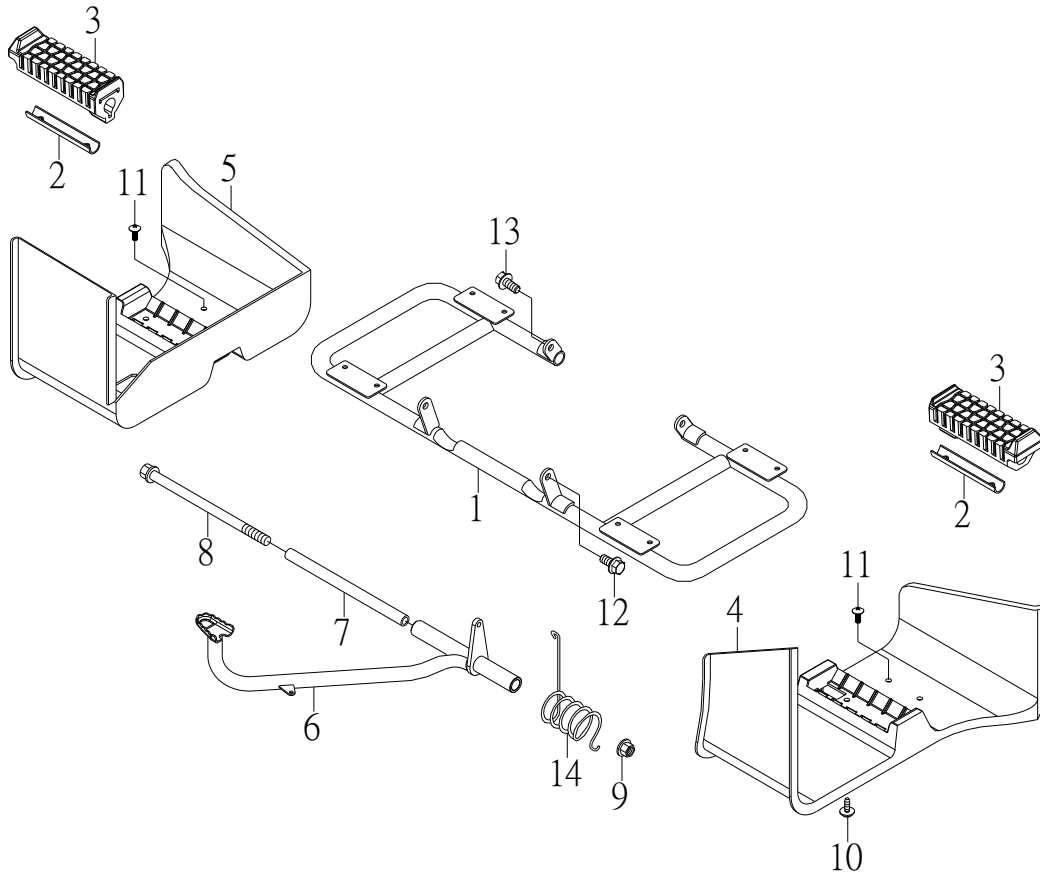


NO.	PARTS NO.	PARTS NAME	Q'TY	NOTE
項目	零件號碼	零件名稱	用量	備註
1	52710-RAM-00	CATCH COMP, SEAT	1	座墊扣鉤組
2	52730-SK9-00	SINGLE SEAT ASSY	1	單人座墊總成
3	95401-061006-C	NUT, FLANGE	2	凸緣螺帽



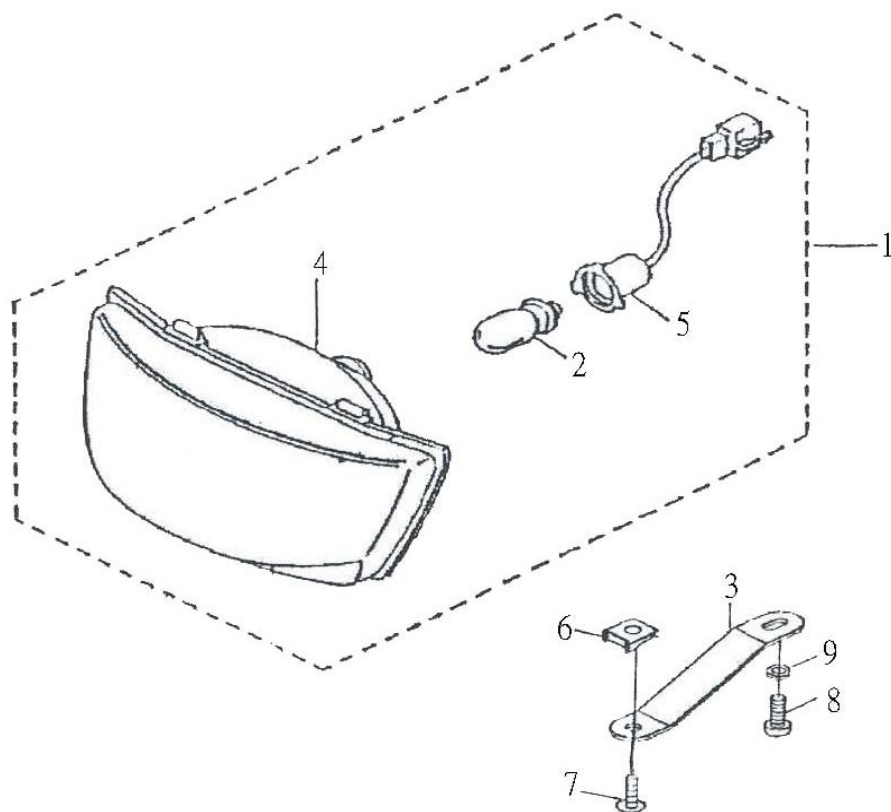
NO.	PARTS NO.	PARTS NAME		QTY	NOTE
項目	零件號碼	零件名稱		用量	備註
1	53211-GKO-00	ROD SHIFT	排檔桿	1	
2	53212-BLK-00	BRACKET, SHIFT	排檔托架	1	
3	53213-SK9-00	GEAR SHIFT LEVER	變速桿	±	
4	53213-SK9-00A	GEAR SHIFT LEVER	變速桿總成	1	
5	53214-GKO-00	HEAD SHIFT	排檔頭	1	
6	53215-GKO-00	ARM SHIFT	排檔臂	1	
7	53216-GKO-00	PROTECTOR	排檔桿護套	1	
8	53217-SK9-00	JOINT L, GEAR SHIFT LEVER	變速桿接頭左	±	
9	53218-SK9-00	JOINT R, GEAR SHIFT LEVER	變速桿接頭右	±	
10	53219-SK9-00	NUT	變速桿螺帽	±	
11	62590-MUS-00	SWITCH ASSY, REVERSE LAMP	倒檔燈開關	1	
12	90230-12008	COTTER PIN	開尾銷	3	
13	95201-061005-B	NUT, HEXAGON	六角螺帽	±	
14	95201-101404-B	NUT, HEXAGON	六角螺帽	1	
15	95201-101708-B	NUT, HEXAGON	六角螺帽	1	
16	95401-081208-B	NUT, FLANGE	凸緣螺帽	1	
17	96218-06012-B	BOLT, HEXAGON WITH WASHER	六角螺栓附墊圈	1	
18	96414-08016-B	BOLT, FLANGE	凸緣螺栓	1	
19	97201-061415-B	WASHER, PLATE	平面墊圈	2	
20	97210-061308	WASHER, PLATE 6*13.2*0.8	石棉墊圈	2	
21	97508-221880-B	SPRING, TORSION	扭轉彈簧	1	

STAND FOOTREST 腳踏桿



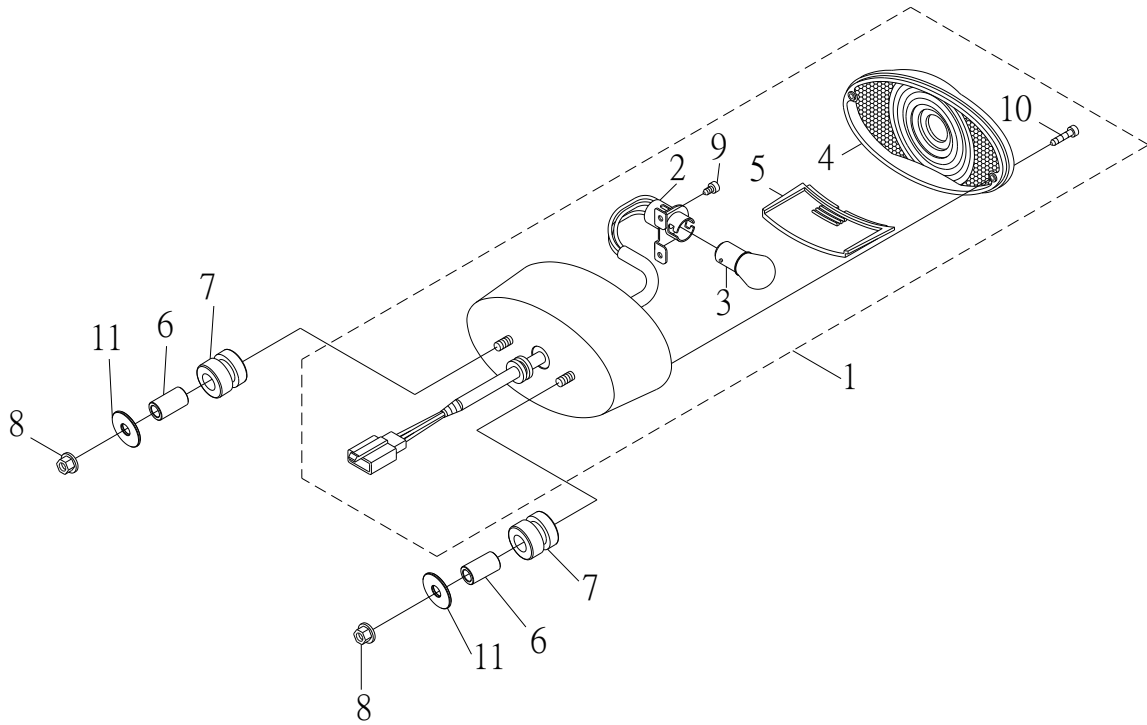
NO.	PARTS NO.	PARTS NAME	QTY	NOTE
項目	零件號碼	零件名稱	用量	備註
1	53231-BLU-00	FOOTREST	1	腳踏桿
2	53233-URO-00	STEADY, RUBBER PEDAL	2	踏桿橡皮固定座
3	53234-SK9-00	RUBBER, PEDAL	2	踏桿橡皮
4	53235-SK9-01	MUDGUARD L	1	左腳踏板
5	53245-SK9-01	MUDGUARD R	1	右腳踏板
6	53261-BLA-00	PEDAL, BRAKE	1	後剎車踏板
7	53263-SK9-00	COLLAR	1	後剎車踏板軸襯
8	94610-10208-B	SHAFT, PIVOT	1	上搖臂固定軸
9	95401-101409-B	NUT, FLANGE	1	凸緣螺帽
10	96218-06020-G	BOLT, HEXAGON WITH WASHER	4	六角螺栓附墊圈
11	96318-06015-G	SCREW, PAN HEAD	8	十字孔頭螺絲
12	96414-08014-B	BOLT, FLANGE	2	凸緣螺栓
13	96414-08016-B	BOLT, FLANGE	2	凸緣螺栓
14	97508-3226020-B	SPRING, TORSION	1	剎車踏板扭轉彈簧

HEADLIGHT 前燈



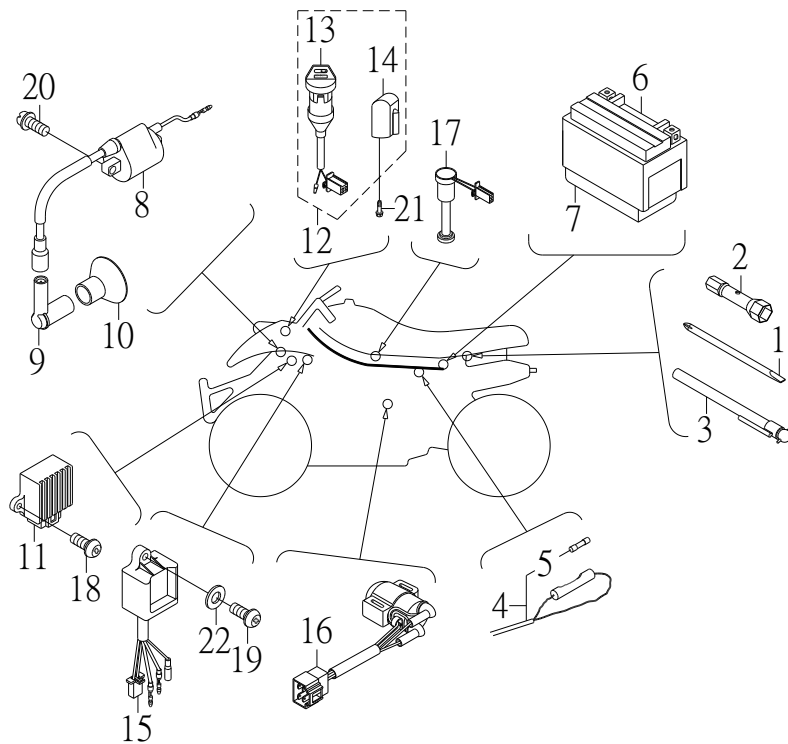
NO. 項目	PARTS NO. 零件號碼	PARTS NAME 零件名稱	Q'TY 用量	NOTE 備註
1	55300-STG-01	HEAD LIGHT ASSY	1	前燈總成
2	55314-STG-00	BULB, HEAD LIGHT	1	前燈燈泡
3	55315-AL9-00	STAY, HEAD LIGHT	1	前燈支座
4	55320-STG-01	LENS ASSY	1	前燈單元總成
5	55340-STG-01	SOCKET CORD ASSY	1	燈座總成
6	95101-05012	NUT, SPRING	1	U型板螺帽
7	96112-51616-G	SCREW, TAPPING	1	自攻螺絲
8	96310-04010-B	SCREW, PAN HEAD	1	十字孔頭螺絲
9	97201-041210-K	WASHER, PLATE	1	平面墊圈

TAIL LIGHT 後燈



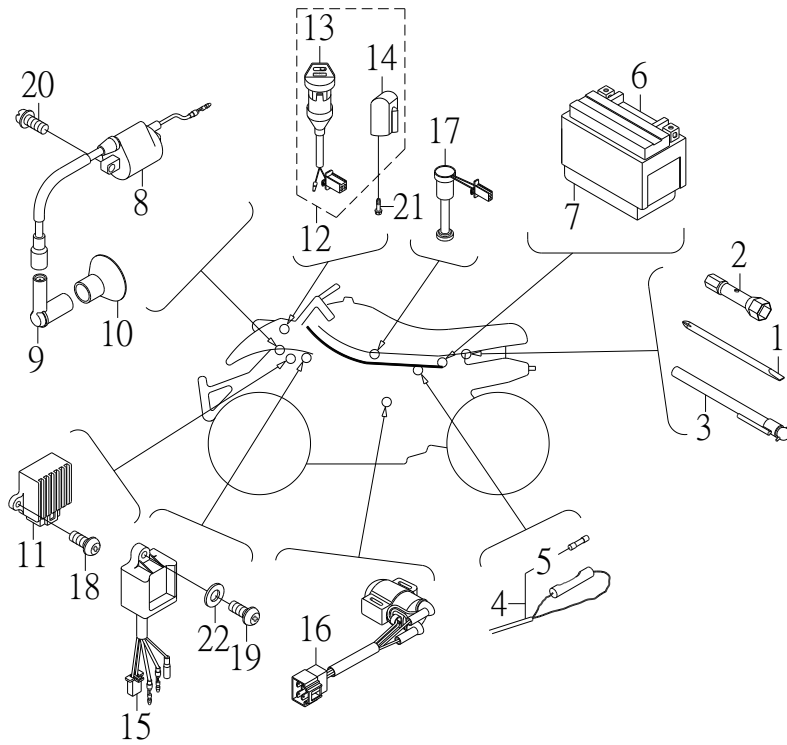
NO.	PARTS NO.	PARTS NAME		QTY	NOTE
項目	零件號碼	零件名稱		用量	備註
1	55700-BL9-00	TAIL LIGHT ASSY	後燈總成	1	
2	55713-BL9-00	BULB STAND, TAIL LIGHT	後剎車燈泡座	±	
3	55714-PAF-00	BULB, TAIL LIGHT (12V21/5W)	後剎車燈泡	1	
4	55721-BL9-00	LENS, TAIL LIGHT	後燈罩	±	
5	55743-BL9-00	LENS, LICENSE LIGHT	牌照燈罩	±	
6	93510-061010	COLLAR	牌照板軸環	2	
7	93580-102212	GROMMET	牌照板套環	2	
8	95401-061006-B	NUT, FLANGE	凸緣螺帽	2	
9	96110-40618-C	SCREW, TAPPING	自攻螺絲	2	
10	96110-41618-B	SCREW, TAPPING	自攻螺絲	2	
11	97201-061820-B	WASHER, PLATE	平面墊圈	2	

WIRE HARNESS 主電路配線



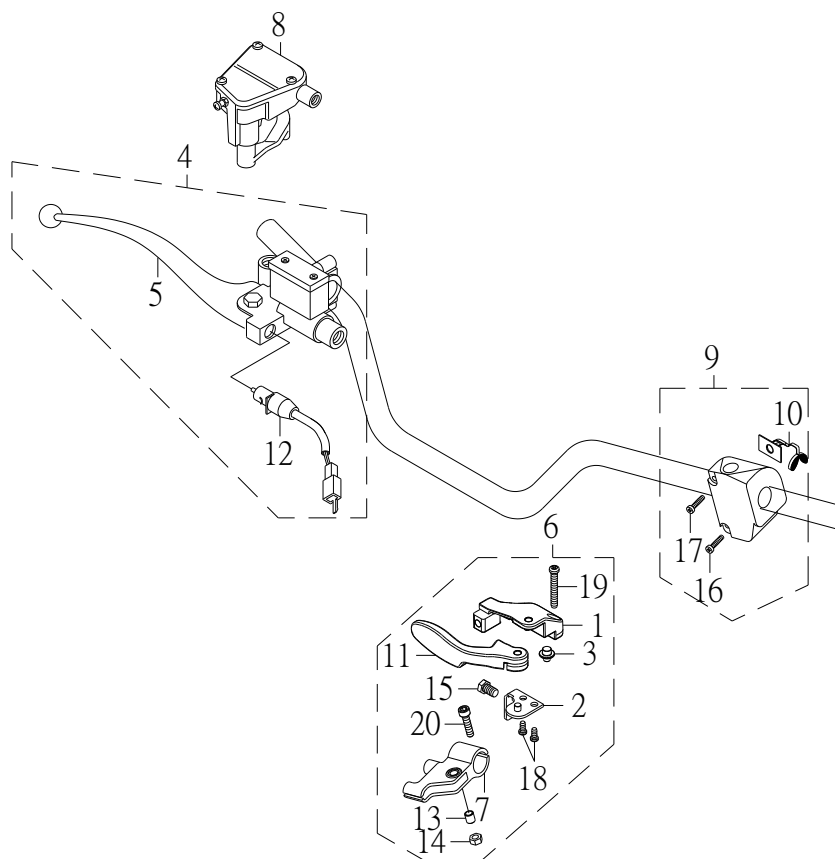
NO. 項目	PARTS NO. 零件號碼	PARTS NAME 零件名稱	QTY 用量	NOTE 備註
1	56120-NAF-00	SCREW DRIVER	1	螺栓起子
2	56140-SK9-00	TOOL PLUG	1	火星塞工具
3	56190-RAM-00	GAUGE, AIR	1	胎壓計
4	61120-SK9-00	WIRE, HARNESS	1	主配線總成
5	61151-NAF-00	FUSE	1	保險絲
6	62100-NAN-00	BATTERY ASSY (YTX5L-BS)	1	蓄電池總成
	62100-NAN-01	BATTERY ASSY (GTX5L-BS)	1	蓄電池總成
7	62111-SK9-00	BATTERY PACKING	1	蓄電池襯墊
8	62310-NAF-00	IGNITION COIL ASSY	1	點火線圈總成
9	62320-NAF-00	PLUG CAP ASSY	1	火星塞蓋總成
10	62322-NAF-00	SEAL, PLUG CAP	1	火星塞蓋套
11	62360-NAF-00	RECTIFIER & REGULATOR COMP	1	整流穩壓器
12	62500-SK9-00	KEY SET	1	鎖組
13	62501-SK9-00	MAIN SWITCH ASSY	±	主開關總成
14	62503-RAM-00	LOCK COMP, STEERING HANDLE	±	轉向舵鎖
15	62540-NAF-00	C.D.I UNIT ASSY	1	C.D.I組件總成
16	62550-SK9-00	STARTER RELAY SWITCH COMP	1	起動開關組
17	62720-NAF-00	OIL LEVEL GAUGE ASSY	1	油標總成
18	96310-05012-B	SCREW, PAN HEAD	2	十字孔頭螺絲
19	96310-05016-B	SCREW, PAN HEAD	1	十字孔頭螺絲
20	96312-06020-C	SCREW, PAN HEAD WITH WASHER	2	十字孔頭螺絲附墊圈
21	96613-05012-B	BOLT, HEXAGON WITH WASHER	2	六角十字穴螺栓附墊圈

WIRE HARNESS 主電路配線



NO.	PARTS NO.	PARTS NAME	QTY	NOTE
項目	零件號碼	零件名稱	用量	備註
22	97201-051410-B	WASHER, PLATE	1	平面墊圈

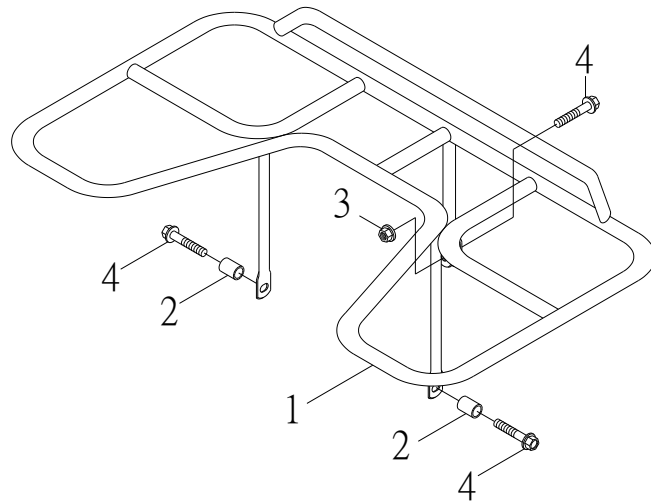
HANDLE SWITCH, LEVER 把手開關、拉桿



NO. 項目	PARTS NO. 零件號碼	PARTS NAME 零件名稱	Q'TY 用量	NOTE 備註
1	42861-QUA-01	GEAR-SHIFT BRACKET	±	變檔開關座
2	42863-QUA-01	LOCK, GEAR-SHIFT LEVER	±	拉柄鎖位板
3	42865-QUA-01	PIN, LEVER FIXTURE	±	變檔拉柄固定銷
4	45870-JOW-00	MASTER CYLINDER SUB ASSY	1	主缸總成
5	45872-CGV-00	BRAKE LEVER, R	1	右拉桿
6	62910-JOW-00	LEVER ASSY, HANDLE	1	左拉桿組
7	62915-RAM-01	LEVER HOLDER, L	±	左拉桿固定座
8	62920-JOW-00	THROTTLE ASSY	1	節流座總成
9	62930-SK9-04	HANDLE SWITCH ASSY L	1	左把手開關總成
10	62935-SK9-00	ENGINE STOP BELT	1	安全束帶
11	62971-CEW-00	LEVER, PARKING	±	駐車拉柄
12	62980-JOW-00	FRONT STOP SWITCH	1	前剎車燈開關
13	93510-060809-C	COLLAR, LEVER	±	拉桿軸環
14	95311-061006-G	NUT, NYLON	±	尼龍螺帽
15	96210-10016-G	BOLT, HEXAGON	±	六角螺栓
16	96310-05020-G	SCREW, PAN HEAD	±	十字孔頭螺絲
17	96310-05025-G	SCREW, PAN HEAD	±	十字孔頭螺絲
18	96310-06012-G	SCREW, PAN HEAD	2	十字孔頭螺絲
19	96310-06040-G	SCREW, PAN HEAD	±	十字孔頭螺絲
20	96510-06022-G	BOLT, SOCKET	±	六角承窩螺栓

2012.10.09

62920-BLA-00A



NO.	PARTS NO.	PARTS NAME	Q'TY	NOTE
項目	零件號碼	零件名稱	用量	備註
1	52850-BL9-00	CARRIER, REAR	1	後架
2	93510-081425-K	COLLAR	2	後架隔管
3	95401-081208-B	NUT, FLANGE	1	凸緣螺帽
4	96414-08040-B	BOLT, FLANGE	3	凸緣螺栓

52850-BL9-00 include #2,#3.
only sale it as a set

2004.06.29

52850-SK9-00A

NOTE: 1) parts no. will be updated promptly by SMC, if necessary.
2) please select your suitable parts as model you have.
3) strongly recommend to re-confrim parts with sales department.
4) please remark the color if necessary.